

**Modular Connection Type**

# Compressed Air Preparation Filter

RoHS

**New**

- Sizes 50 and 60 have been added.
  - An element service indicator has been added.\*1
- \*1 Excludes the AMK

**Compressed Air Purity Class ISO 8573**

Solid/Oil Separation

**Line Filter *AFF Series***

**1 μm** Water droplet removal

**Mist Separator *AM Series***

**0.1 μm** Oil mist separation and removal

**Micro Mist Separator *AMD Series***

**0.01 μm** Oil mist separation and removal

Decolorization

**Activated Carbon Filter *AMK Series***

**0.003 mg/m<sup>3</sup>** Oil vapour and odour removal

**Flow capacity l/min (ANR)**

20	Up to 300
30	Up to 750
40	Up to 1500
<b>New</b> 50	Up to 2200
<b>New</b> 60	Up to 3700

**Weight reduced by 50 %** p. 3

AFF/AM/AMD20-D: 0.19 kg (Existing model: 0.38 kg)

**Modular connection is possible.** p. 1

**Face-to-face and depth dimensions reduced by 30 %**

AFF/AM□30-D: □53 mm (Existing model: □76 mm)



**New** With element service indicator



**New**



**AFF/AM/AMD/AMK Series**

**SMC**

CAT.EUS30-22C-UK

## Reduced pressure drop contributes to energy saving.

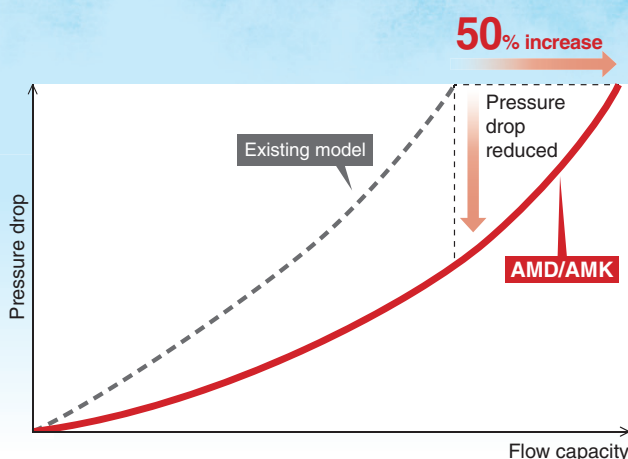
### Flow capacity

**3700 l/min (ANR)**

### Pressure drop

**Max. 50 % reduction**

AMD40: 6.8 kPa (Existing model AMD350C: 13.6 kPa)  
AMK40: 4.7 kPa (Existing model AMF350C: 9.4 kPa)



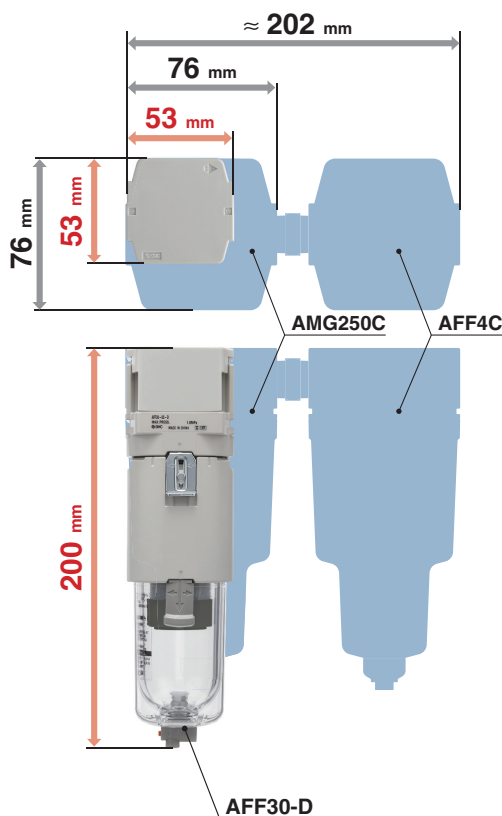
## Space-saving design and reduced piping labor

### AFF Series

	AMG250C + AFF4C	AFF30-D	
Face-to-face dimension	≈ 202 mm	53 mm	Approx. 150 mm reduction

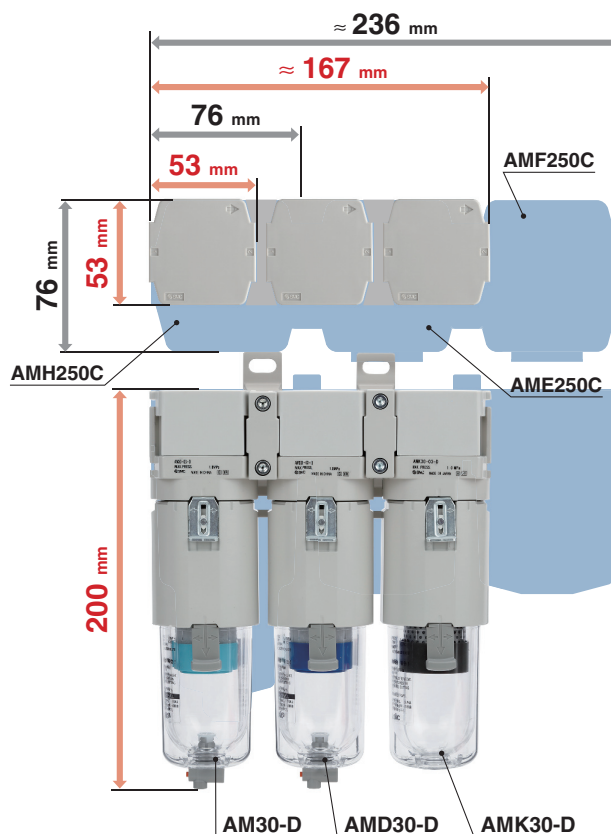
The AFF series line filter removes both water droplets and solid particles. It eliminates\*1 the need for a separate filter for removing water droplets (water separator, AMG series), thus greatly reducing the face-to-face dimension and also reducing the required installation space and piping work.

\*1 When used within the product's specification range



### Modular connection (AM + AMD + AMK)

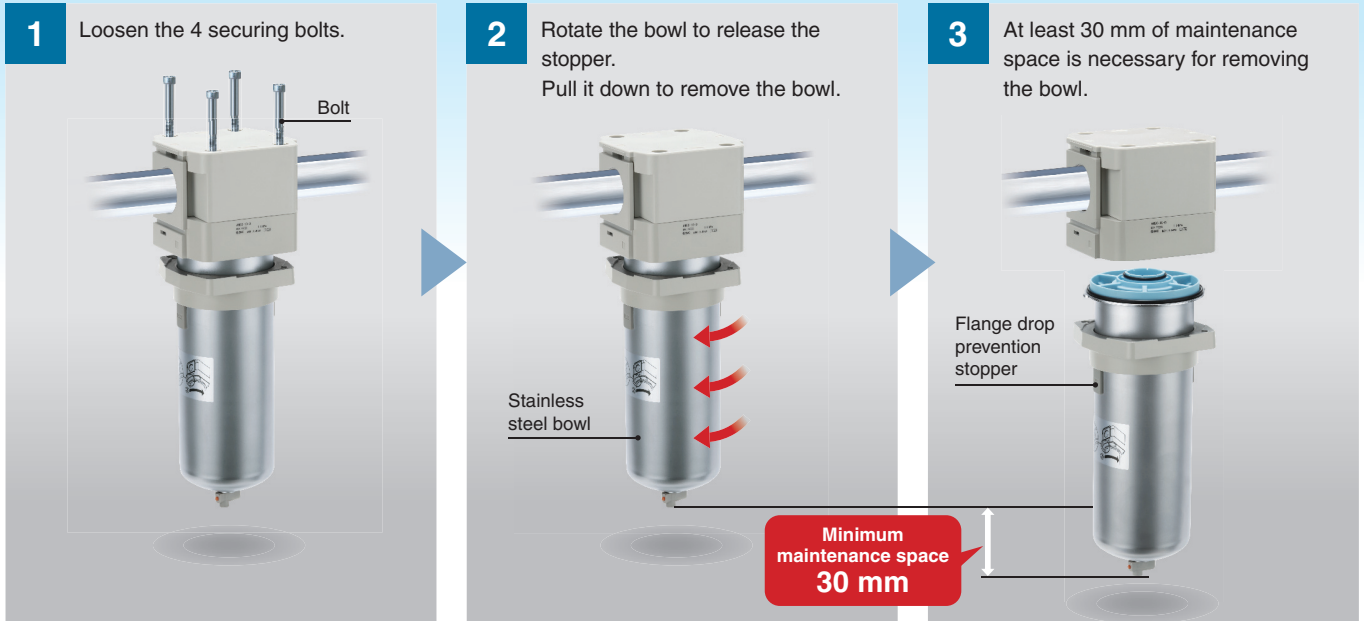
	AMH250C + AME250C + AMF250C	AM30-D + AMD30-D + AMK30-D	
Face-to-face dimension	≈ 236 mm	≈ 167 mm	Approx. 69 mm reduction
Weight	1.51 kg	1.17 kg	23 % reduction
Flow capacity	500 l/min (ANR)	750 l/min (ANR)	50 % increase



## Easier replacement of the element

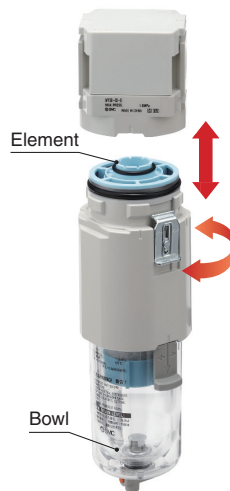
### Size 50/60 The stopper function prevents the bowl from falling.

The bowl will not fall even if the bolts are loosened. It is not necessary to hold the bowl when removing the bolts. Safe and secure mounting and removing of the bowl with both hands is possible. The lightweight stainless steel bowl with reduced thickness allows for easier element replacement.



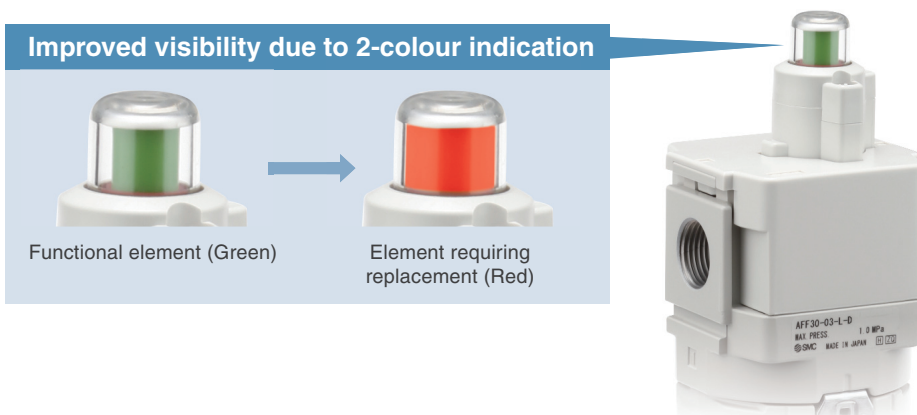
### Size 20 to 40 No tools are required.

Easy replacement of the element is possible as the element and the bowl are in one piece. Replacement can be done in hand.



### **New** The time for replacement can be checked visually.

#### Improved visibility due to 2-colour indication



## Lightweight

### Weight

**Max. 50 % lighter**\*1

**0.19 kg** ← 0.38 kg

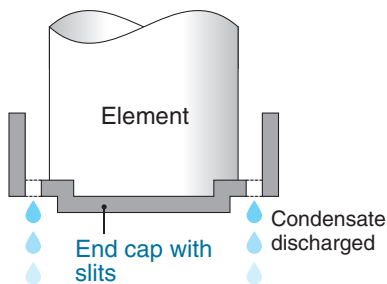
\*1 Compared with existing products (AFF□C, AM□C, and AMD□C series)

\*2 Compared with existing products (AMF□C series)

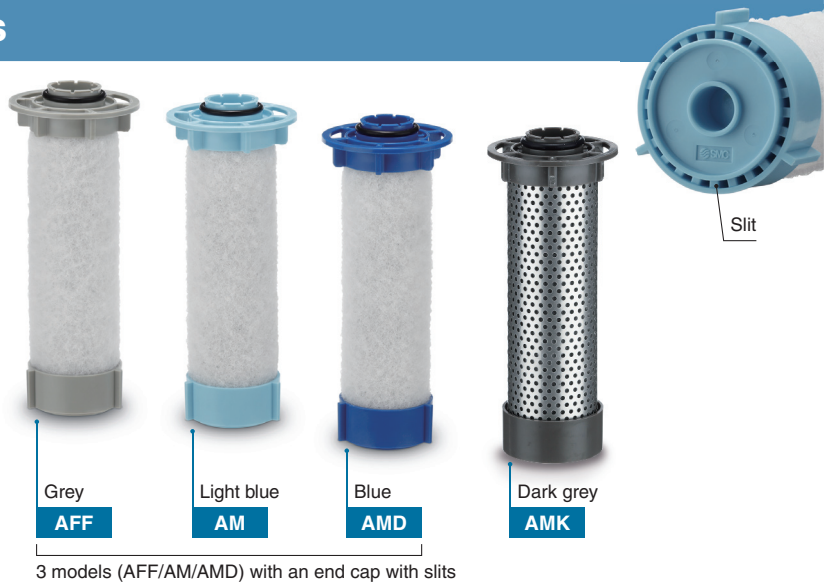
Series	Size	Weight [kg]	Reduction rate [%]
AFF/AM/AMD*1	20	<b>0.19</b> ← 0.38	<b>50</b>
	30	<b>0.39</b> ← 0.55	<b>29</b>
	40	<b>0.79</b> ← 0.9	<b>12</b>
	<b>New</b> 50	<b>1.23</b> ← 1.4	<b>12</b>
	<b>New</b> 60	<b>1.46</b> ← 2.1	<b>30</b>
AMK*2	20	<b>0.19</b> ← 0.3	<b>37</b>
	30	<b>0.39</b> ← 0.48	<b>19</b>
	40	<b>0.79</b> ← 0.8	<b>1.3</b>
	<b>New</b> 50	<b>1.25</b> ← 1.3	<b>4</b>
	<b>New</b> 60	<b>1.50</b> ← 2.0	<b>25</b>

## Colour-identifiable elements

This eliminates the accumulation of condensate. Even high-velocity fluid is not spattered. The result is a compact bowl design.

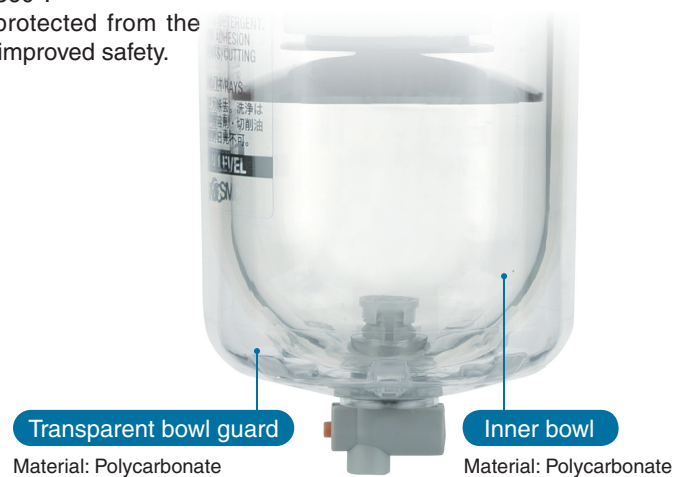


Condensate is not accumulated, so no water flows to the downstream side.







## Transparent bowl guard (2-layer construction)\*1

- The inside is visible from 360°.
- The bowl is completely protected from the environment, allowing for improved safety.



\*1 Size 20 to 40 only

## Variations

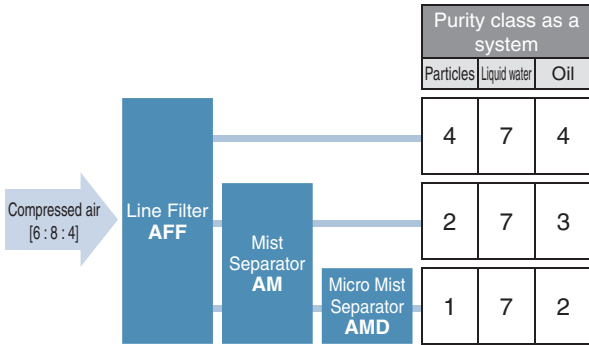
Series	Size	Port size						Flow capacity l/min (ANR)	Option/ Accessory
		1/8	1/4	3/8	1/2	3/4	1		
<b>AFF Series</b> <small>p. 6</small> Line Filter Large dust particle filtration, Water droplet separation Water droplet removal ratio: 99% Nominal filtration rating: 1 µm [Filtration efficiency: 99 %] 	20	●	●					300	
	30		●	●				750	
	40		●	●	●			1500	
	<b>New</b> 50					●	●	2200	
	<b>New</b> 60						●	3700	
<b>AM Series</b> <small>p. 6</small> Mist Separator Dust filtration, Oil mist separation Nominal filtration rating: 0.1 µm [Filtration efficiency: 99 %] Oil mist concentration on the outlet side: Max. 1.0 mg/m <sup>3</sup> [= 0.8 ppm] 	20	●	●					300	
	30		●	●				750	
	40		●	●	●			1500	
	<b>New</b> 50					●	●	2200	
	<b>New</b> 60						●	3700	
<b>AMD Series</b> <small>p. 6</small> Micro Mist Separator Dust filtration, Oil mist separation Nominal filtration rating: 0.01 µm [Filtration efficiency: 99.9 %] Oil mist concentration on the outlet side: Max. 0.1 mg/m <sup>3</sup> [= 0.08 ppm] 	20	●	●					300	
	30		●	●				750	
	40		●	●	●			1500	
	<b>New</b> 50					●	●	2200	
	<b>New</b> 60						●	3700	
<b>AMK Series</b> <small>p. 18</small> Activated Carbon Filter Removes oil vapour and odour from compressed air Oil concentration on the outlet side: Max. 0.003 mg/m <sup>3</sup> [= 0.0025 ppm] 	20	●	●					300	Flow capacity increased by 50 % Existing model: 200 l/min (AMF150C)
	30		●	●				750	Flow capacity increased by 50 % Existing model: 500 l/min (AMF250C)
	40		●	●	●			1500	Flow capacity increased by 50 % Existing model: 1000 l/min (AMF350C)
	<b>New</b> 50					●	●	2200	Flow capacity increased by 10 % Existing model: 2000 l/min (AMF450C)
	<b>New</b> 60						●	3700	

· Bracket  
· Auto drain

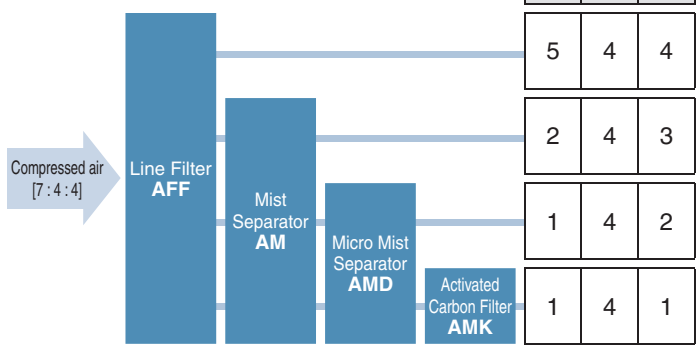
## Compliant with ISO 8573 Compressed Air Purity Class

Systems which are in compliance with the degree of purity required for compressed air (For details → page 28)

System example 1)

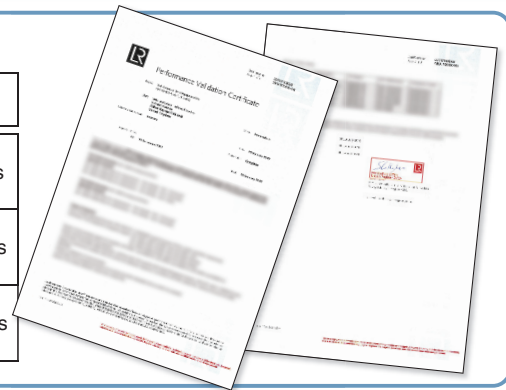


System example 2)



### Certified by a third party organization

Contaminants	ISO 12500: Filters for compressed air – test methods	ISO 8573: Compressed air
<b>Particles</b>	ISO 12500-3:2009 Filters for compressed air – test methods – <b>Particulates</b>	ISO 8573-4:2001 Compressed air – Test methods for <b>solid particle content</b>
<b>Liquid water</b>	ISO 12500-4:2009 Filters for compressed air – test methods – <b>Water</b>	ISO 8573-9:2004 Compressed air – Test methods for <b>liquid water content</b>
<b>Oil</b>	ISO 12500-1:2007 Filters for compressed air – test methods – <b>Oil aerosols</b>	ISO 8573-2:2007 Compressed air – Test methods for <b>oil aerosol content</b>



### Simple Specials System

A system designed to respond quickly and easily to your special ordering needs. For modular connection units (shipped assembled), the simple specials system can be used.



#### Short lead times

This system enables us to respond to your special needs (additional machining, accessory assembly, or the designing of a modular unit) and deliver your personalized products as quickly as standard products.

#### Repeat orders

Once we receive a simple special part number from one of your previous orders, we will process the order, manufacture the product, and deliver it to you as quickly as possible.

Please contact your local sales representative for more details.

## CONTENTS

### Modular Connection Type Compressed Air Preparation Filter **AFF/AM/AMD/AMK Series**



**AFF AM AMD**

#### Compressed Air Preparation Filter **AFF/AM/AMD Series**

How to Order .....	p. 6
Line Filter AFF Series	
Standard Specifications .....	p. 7
Flow Rate Characteristics .....	p. 8
Mist Separator AM Series	
Standard Specifications .....	p. 9
Flow Rate Characteristics .....	p. 10
Micro Mist Separator AMD Series	
Standard Specifications .....	p. 11
Flow Rate Characteristics .....	p. 12
Construction .....	p. 13
Dimensions .....	p. 15



#### Activated Carbon Filter **AMK Series**

How to Order .....	p. 18
Activated Carbon Filter AMK Series	
Standard Specifications .....	p. 19
Flow Rate Characteristics .....	p. 20
Construction .....	p. 21
Dimensions .....	p. 23
· Modular Connection Example .....	p. 25
· Accessories Sold Separately .....	p. 27
· International Standard ISO 8573-1:2010 .....	p. 28
· Specific Product Precautions .....	p. 29

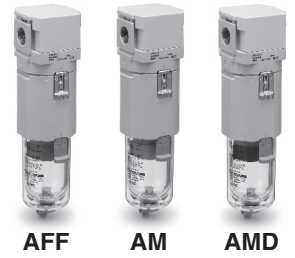
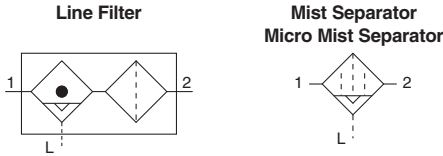
# Compressed Air Preparation Filter

Line Filter/Mist Separator/Micro Mist Separator

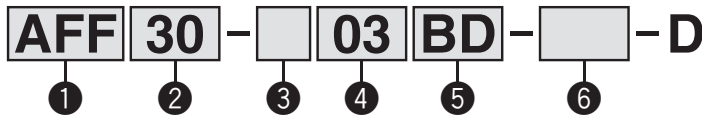
# AFF/AM/AMD Series



## Symbol



## How to Order



· Option/Semi-standard: Select one each for a to g.  
 · Option/Semi-standard symbol: When more than one specification is required, indicate in alphanumeric order.  
 Example) AM30-N03BD-6RZ-D

		Symbol	Description	②						
				Body size						
				20	30	40	50	60		
①	Filter type	AFF	Nominal filtration rating: 1 μm Water droplet removal ratio: 99 %	●	●	●	●	●		
		AM	Nominal filtration rating: 0.1 μm Oil mist concentration on the outlet side: 1 mg/m <sup>3</sup>	●	●	●	●	●		
		AMD	Nominal filtration rating: 0.01 μm Oil mist concentration on the outlet side: 0.1 mg/m <sup>3</sup>	●	●	●	●	●		
		+								
③	Thread type	—	Rc	●	●	●	●	●		
		N*1	NPT	●	●	●	●	●		
		F*2	G	●	●	●	●	●		
④	Port size	01	1/8	●	—	—	—	—		
		02	1/4	●	●	●	—	—		
		03	3/8	—	●	●	—	—		
		04	1/2	—	—	●	—	—		
		06	3/4	—	—	—	●	—		
		10	1	—	—	—	●	●		
⑤	Option	a	Mounting	—	Without mounting option	●	●	●	●	●
			B*3	With bracket	●	●	●	●	●	
	b	Float type auto drain	—	Without auto drain	●	●	●	●	●	
			C*4	N.C. (Normally closed)	●	●	●	●	●	
		D*5	N.O. (Normally open)	—	●	●	●	●		
⑥	Semi-standard	c	Bowl*6	—	Polycarbonate bowl	●	●	●	—	—
				2	Stainless steel bowl	—	—	—	●	●
				6	Metal bowl	●	●	●	—	—
				8	Nylon bowl	●	●	●	—	—
				8	Metal bowl with level gauge	—	●	●	—	—
				C	With bowl guard	●	—*7	—*7	—	—
	6C	With bowl guard (Nylon bowl)	●	—*8	—*8	—	—			
	d	Drain port*9	—	With drain cock	●	●	●	●	●	
			J*10	Drain guide 1/8	●	—	—	—	—	
			W*11	Drain cock, Barb fitting (Ø 6)	—	●	●	●	●	
e	Indicator*12	—	Without indicator	●	●	●	●	●		
		L	With element service indicator	●	●	●	●	●		
f	Flow direction	—	Flow direction: Left to right	●	●	●	●	●		
		R	Flow direction: Right to left	●	●	●	●	●		
g	Unit	—	Name plate and caution plate for bowl in SI units: MPa, °C	●	●	●	●	●		
		Z*13	Name plate and caution plate for bowl in imperial units: psi, °F	○*14	○*14	○*14	○*14	○*14		

\*1 The drain guide is either NPT 1/8 (applicable to the AFF 20, AM 20, and AMD20) or NPT 1/4 (applicable to the AFF30 to AFF60, AM30 to AM60, and AMD 30 to AMD 60). The auto drain port comes with a Ø 3/8" One-touch fitting (applicable to the AFF30 to AFF60, AM30 to AM60, and AMD30 to AMD60).  
 \*2 The drain guide is either G1/8 (applicable to the AFF20, AM20, and AMD20) or G1/4 (applicable to the AFF30 to AFF60, AM30 to AM60, and AMD30 to AMD60).  
 \*3 The assembly consists of 2 types of brackets and 2 mounting screws.  
 \*4 When pressure is not applied, condensate which does not start the auto drain mechanism will be left in the bowl. Releasing the residual condensate before ending operations for the day is recommended.  
 \*5 If the compressor is small (0.75 kW, discharge flow is less than 100 l/min (ANR)), air leakage from the drain cock may occur during the start of

operations. The N.C. type is recommended.  
 \*6 Refer to the chemical data on page 29 for chemical resistance of the bowl.  
 \*7 A bowl guard is provided as standard equipment (polycarbonate).  
 \*8 A bowl guard is provided as standard equipment (nylon).  
 \*9 The combination of float type auto drain C and D is not available.  
 \*10 Without a valve function  
 The mounting screws are the same as the thread of ③.  
 \*11 The combination of metal bowl 2 and 8 is not available.  
 \*12 After purchase, option "—" (Without indicator) cannot be changed to option "L" (With element service indicator).  
 \*13 For pipe thread type: NPT  
 \*14 ○: For pipe thread type: NPT only

# AFF/AM/AMD Series

## Line Filter AFF Series

### Standard Specifications

Model		AFF20	AFF30	AFF40	AFF50	AFF60	
Fluid		Compressed air					
Ambient and fluid temperatures		°C					
Proof pressure		MPa					
Max. operating pressure		MPa					
Min. operating pressure		MPa					
Auto drain minimum operating pressure	(N.C.)	MPa	0.1	0.15			
	(N.O.)	MPa	—	0.1			
Nominal filtration rating*1		µm	1 (99 % filtered particle size)				
Water droplet removal ratio*2		%	99				
Compressed air purity class*3		—	ISO 8573-1:2010 [ 4 : 7 : 4 ]*4				
Max. flow capacity*5		l/min (ANR)	300	750	1500	2200	3700
Port size		—	1/8, 1/4	1/4, 3/8	1/4, 3/8, 1/2	3/4, 1	1
Weight		kg	0.19	0.39	0.79	1.23	1.46
Bowl material		Polycarbonate			Stainless steel		
Bowl guard		Semi-standard (Steel)		Standard (Polycarbonate)		—	
Drain capacity		cm <sup>3</sup>	8	25	45	100	

\*1 For the following conditions in accordance with [Measurement: ISO 8573-4:2001, Test method ISO 12500-3:2009 compliant] in addition to the conditions above

- When the air flow capacity, inlet pressure, and the amount of solid or liquid particles on the filter inlet side are stable
- When a new element is used

\*2 For the following conditions in accordance with [Test condition: ISO 12500-4:2009 compliant] in addition to the conditions above

- Water droplet on the filter inlet side = 33 g/m<sup>3</sup>  
(Water droplet indicates condensed moisture. Water vapour which is not condensed is not included.)
- Inlet temperature = 25 °C
- When the air flow capacity, inlet pressure, and the amount of water droplets on the filter inlet side are stable
- When a new element is used

\*3 The compressed air purity class is indicated based on ISO 8573-1:2010 Compressed air – Part 1: Contaminants and purity classes. For details on this standard, refer to page 28.

\*4 The compressed air quality class on the inlet side is [ 6 : 8 : 4 ].

\*5 Inlet pressure: 0.7 MPa

Flow at 20 °C, atmospheric pressure, and 65 % of the relative humidity

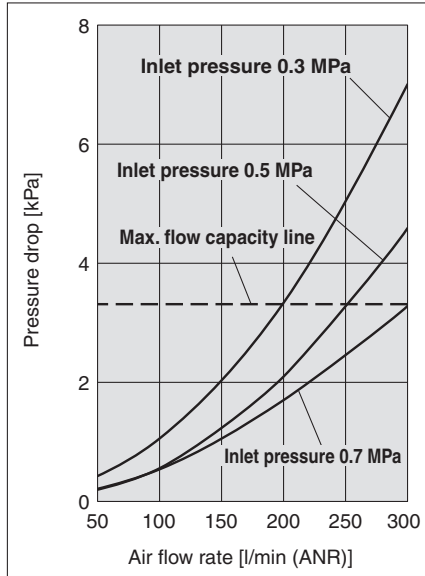


## Line Filter AFF Series

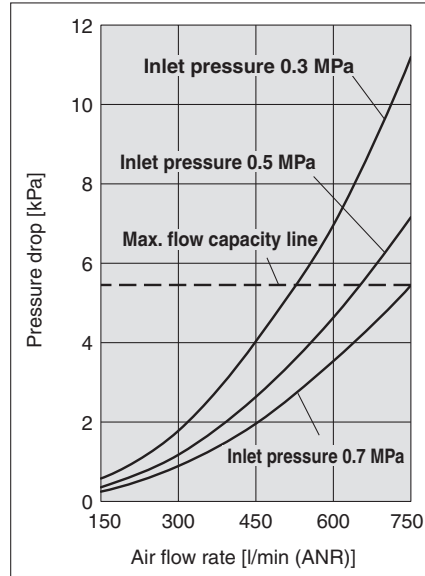
### Flow Rate Characteristics (Representative values)

\* Compressed air over the max. flow capacity line in the table below may not meet the specifications of the product.

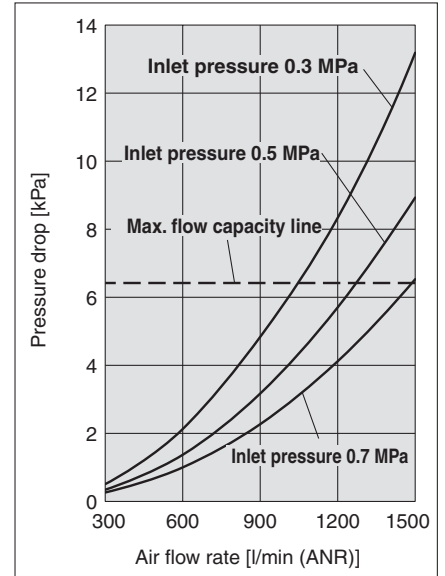
**AFF20**



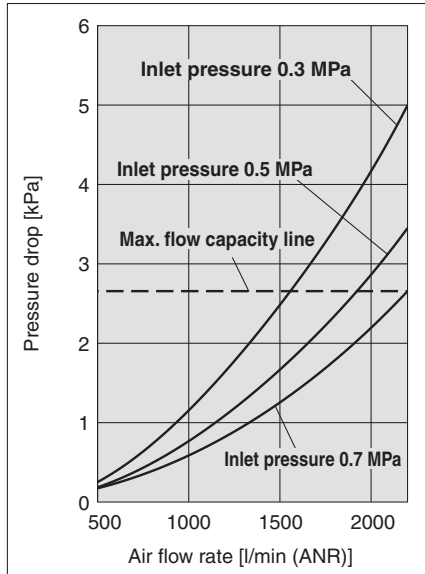
**AFF30**



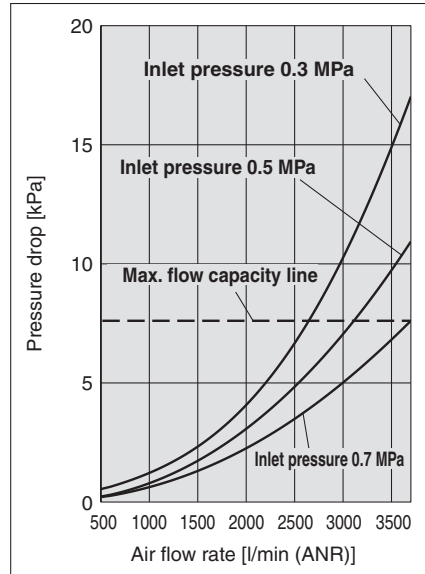
**AFF40**



**AFF50**



**AFF60**



## Mist Separator AM Series

### Standard Specifications

Model		AM20	AM30	AM40	AM50	AM60
Fluid		Compressed air				
Ambient and fluid temperatures		°C				
Proof pressure		-5 to 60 (No freezing)				
Max. operating pressure		MPa				
Min. operating pressure		MPa				
Auto drain minimum operating pressure		MPa				
(N.C.)		0.1				
(N.O.)		0.15				
Nominal filtration rating*1		μm				
Oil mist concentration on the outlet side*2, *3		mg/m <sup>3</sup>				
Compressed air purity class*4		—				
Max. flow capacity*6		l/min (ANR)				
Port size		—				
Weight		kg				
Bowl material		Polycarbonate			Stainless steel	
Bowl guard		Semi-standard (Steel)		Standard (Polycarbonate)		—
Drain capacity		cm <sup>3</sup>				

\*1 For the following conditions in accordance with [Measurement: ISO 8573-4:2001, Test method ISO 12500-3:2009 compliant] in addition to the conditions above

- When the air flow capacity, inlet pressure, and the amount of solid or liquid particles on the filter inlet side are stable
- When a new element is used

\*2 For the following conditions in accordance with [Measurement: ISO 8573-2:2007, Test method ISO 12500-1:2007 compliant] in addition to the conditions above

- Oil mist concentration on the filter inlet side = 10 mg/m<sup>3</sup>
- When the air flow capacity, inlet pressure, and the oil mist concentration on the filter inlet side are stable
- When a new element is used

\*3 The bowl seal and other O-rings are slightly lubricated.

\*4 The compressed air purity class is indicated based on ISO 8573-1:2010 Compressed air – Part 1: Contaminants and purity classes. For details on this standard, refer to page 28.

\*5 The compressed air quality class on the inlet side is [ 4 : 7 : 4 ].

\*6 Inlet pressure: 0.7 MPa

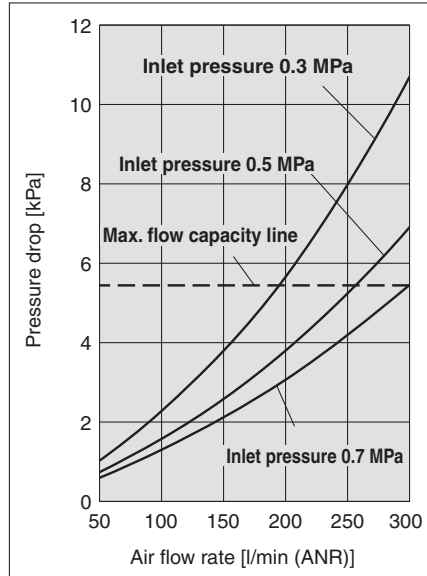
Flow at 20 °C, atmospheric pressure, and 65 % of the relative humidity

## Mist Separator AM Series

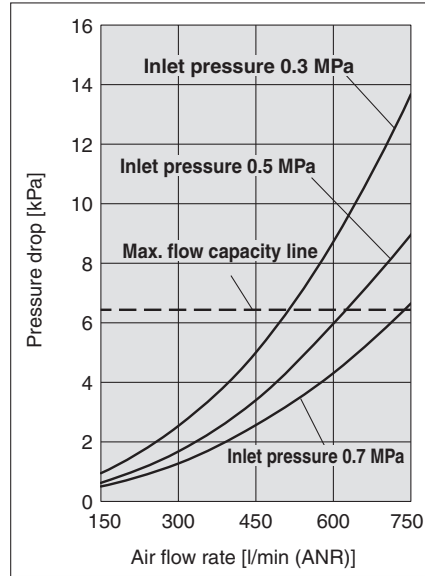
### Flow Rate Characteristics (Representative values)

\* Compressed air over the max. flow capacity line in the table below may not meet the specifications of the product.

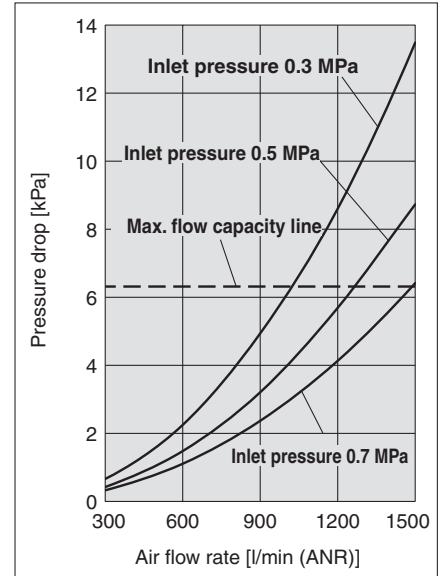
**AM20**



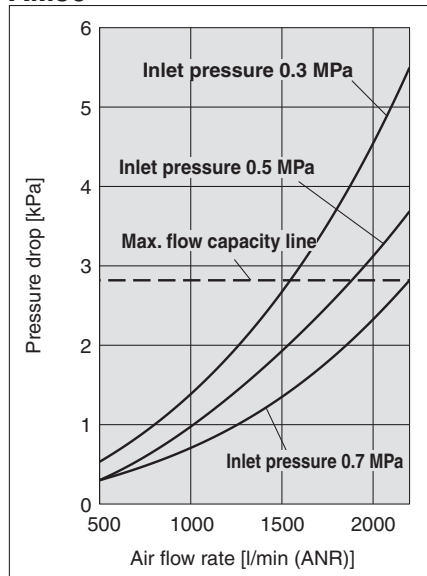
**AM30**



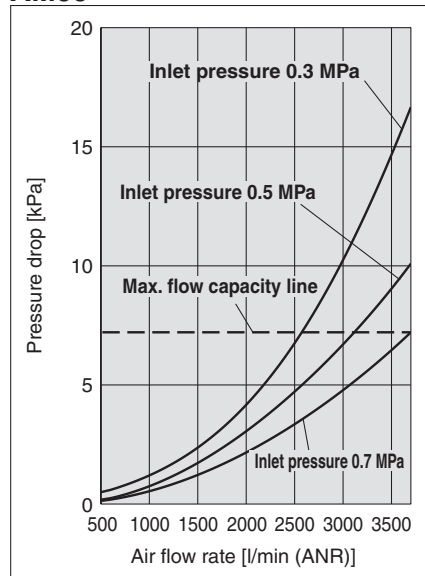
**AM40**



**AM50**



**AM60**



# AFF/AM/AMD Series

## Micro Mist Separator AMD Series

### Standard Specifications

Model		AMD20	AMD30	AMD40	AMD50	AMD60
Fluid		Compressed air				
Ambient and fluid temperatures		°C				
Proof pressure		MPa				
Max. operating pressure		MPa				
Min. operating pressure		MPa				
Auto drain minimum operating pressure	(N.C.)	MPa	0.1	0.15		
	(N.O.)	MPa	—	0.1		
Nominal filtration rating*1		µm				
Oil mist concentration on the outlet side*2, *3		mg/m <sup>3</sup>				
Compressed air purity class*5		—				
Max. flow capacity*7		l/min (ANR)				
Port size		—				
Weight		kg				
Bowl material		Polycarbonate			Stainless steel	
Bowl guard		Semi-standard (Steel)		Standard (Polycarbonate)		—
Drain capacity		cm <sup>3</sup>				

\*1 For the following conditions in accordance with [Measurement: ISO 8573-4:2001, Test method ISO 12500-3:2009 compliant] in addition to the conditions above

- When the air flow capacity, inlet pressure, and the amount of solid or liquid particles on the filter inlet side are stable
- When a new element is used

\*2 For the following conditions in accordance with [Measurement: ISO 8573-2:2007, Test method ISO 12500-1:2007 compliant] in addition to the conditions above

- Oil mist concentration on the filter inlet side = 1 mg/m<sup>3</sup>
- When the air flow capacity, inlet pressure, and the oil mist concentration on the filter inlet side are stable
- When a new element is used

\*3 The bowl seal and other O-rings are slightly lubricated.

\*4 0.01 (≈ 0.008 ppm) or less in the initial state

\*5 The compressed air purity class is indicated based on ISO 8573-1:2010 Compressed air – Part 1: Contaminants and purity classes. For details on this standard, refer to page 28.

\*6 The compressed air quality class on the inlet side is [ 2 : 7 : 3 ].

\*7 Inlet pressure: 0.7 MPa

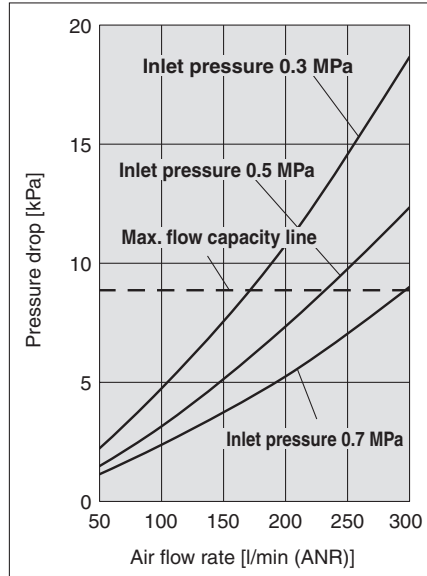
Flow at 20 °C, atmospheric pressure, and 65 % of the relative humidity

## Micro Mist Separator AMD Series

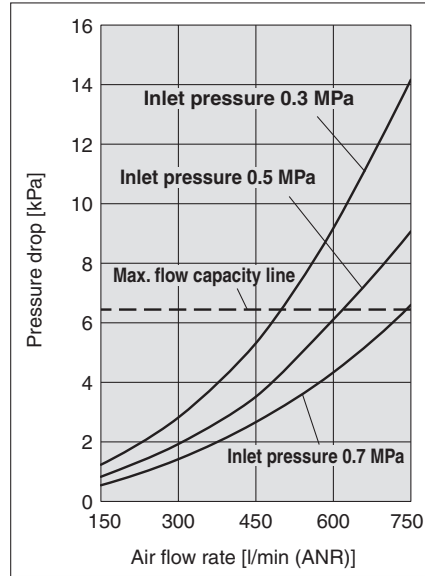
### Flow Rate Characteristics (Representative values)

\* Compressed air over the max. flow capacity line in the table below may not meet the specifications of the product.

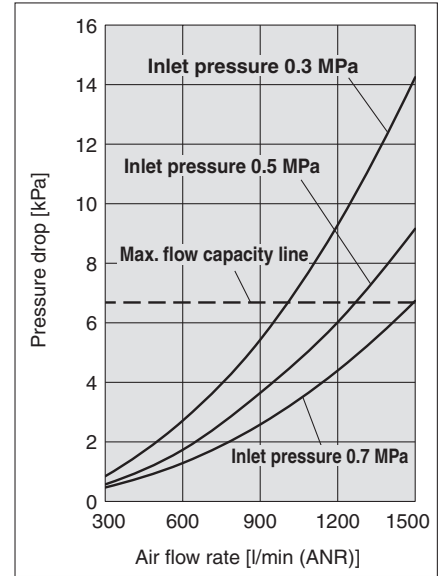
**AMD20**



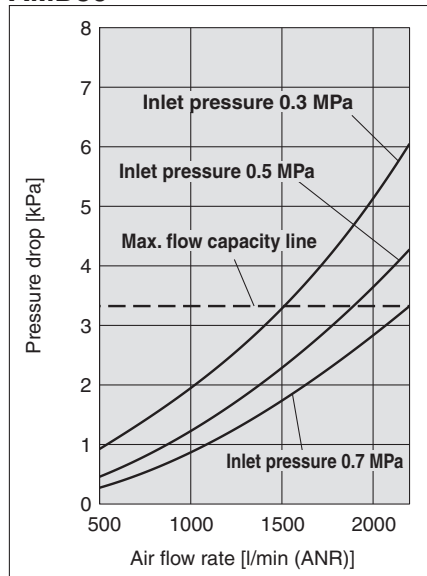
**AMD30**



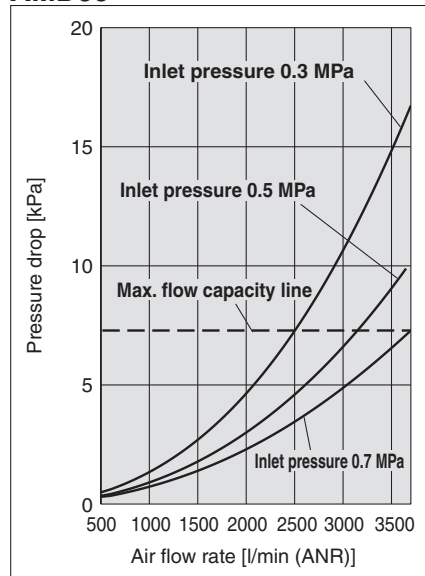
**AMD40**



**AMD50**



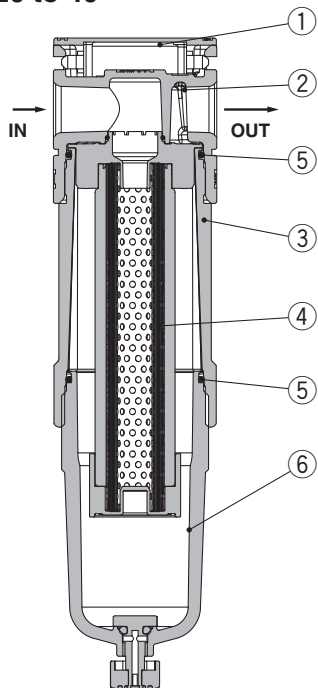
**AMD60**



# AFF/AM/AMD Series

## Construction: AFF, AM, AMD

### Size 20 to 40



### Component Parts

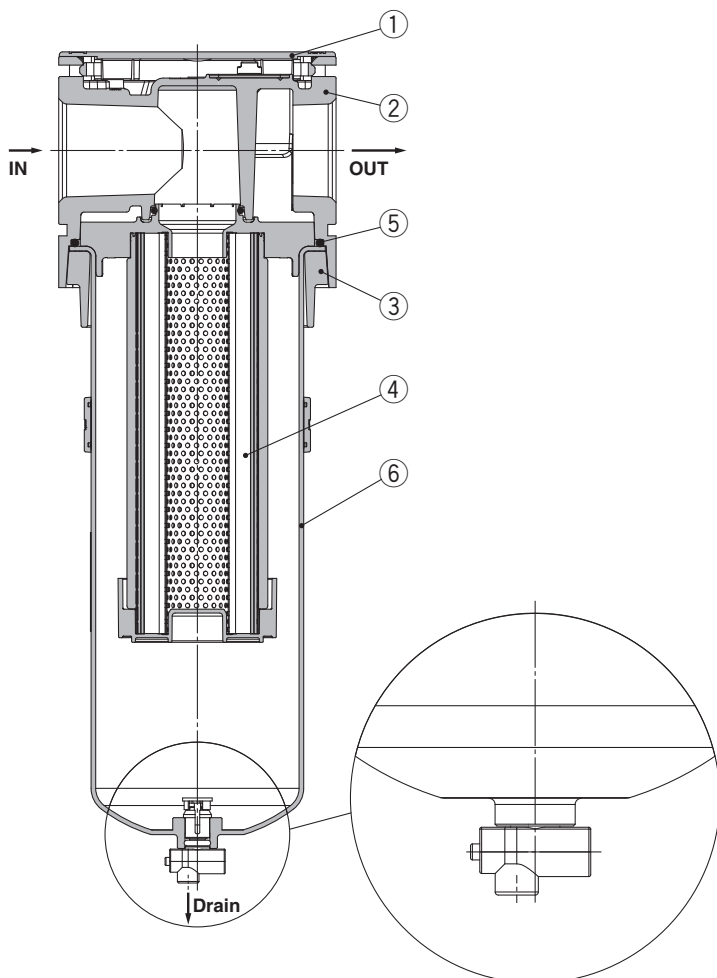
No.	Description	Material
1	Body cover	Resin
2	Body	Aluminium die-cast
3	Joint	Aluminium die-cast

### Replacement Parts

No.	Description	Part number			
		20	30	40	
4	Element	AFF	AFF24P-060AS	AFF34P-060AS	AFF44P-060AS
		AM	AM24P-060AS	AM34P-060AS	AM44P-060AS
		AMD	AMD24P-060AS	AMD34P-060AS	AMD44P-060AS
5	Bowl seal	C2SFP-260S	C32FP-260S	C42FP-260S	
6	Bowl assembly	Refer to "Bowl Assembly/Part Nos."			

\* When it is time to replace the element, refer to the maintenance instructions in the specific product precautions (page 30).

### Size 50/60



### Component Parts

No.	Description	Material
1	Body cover	Resin
2	Body	Aluminium die-cast
3	Flange	Aluminium die-cast

### Replacement Parts

No.	Description	Part number		
		50	60	
4	Element	AFF	AFF54P-060AS	AFF64P-060AS
		AM	AM54P-060AS	AM64P-060AS
		AMD	AMD54P-060AS	AMD64P-060AS
5	Bowl seal	AM54P-160S		
6	Bowl assembly	Refer to "Bowl Assembly/Part Nos."		

## Construction: AFF, AM, AMD

### Bowl Assembly/Part Nos.

Bowl material	Drain discharge mechanism	Drain port	Other	Model				
				20	30	40	50	60
Polycarbonate, Stainless steel	Manual	With drain cock	—	C2SF-D	—	—	AM54P-120AS	AM64P-120AS
			With bowl guard	C2SF-C-D	C3SF-D	C4SF-D	—	—
		Drain cock with barb fitting	With bowl guard	—	C3SF-W-D	C4SF-W-D	AM54P-120AS-W	AM64P-120AS-W
			—	C2SF□-J-D	—	—	AM54P-□120AS-J	AM64P-□120AS-J
	Automatic (Auto drain)	Normally closed (N.C.)	—	AD27-D	—	—	AM54P-□120AS-C	AM64P-□120AS-C
			With bowl guard	AD27-C-D	AD37□-D	AD47□-D	—	—
		Normally open (N.O.)	—	—	—	—	AM54P-□120AS-D	AM64P-□120AS-D
			With bowl guard	—	AD38□-D	AD48□-D	—	—
Nylon	Manual	With drain cock	—	C2SF-6-A	—	—	—	—
			With bowl guard	C2SF-6C-A	C3SF-6-A	C4SF-6-A	—	—
		Drain cock with barb fitting	With bowl guard	—	C3SF-6W-A	C4SF-6W-A	—	—
			—	C2SF□-6J-A	—	—	—	—
	Automatic (Auto drain)	Normally closed (N.C.)	—	AD27-6-A	—	—	—	—
			With bowl guard	AD27-6C-A	AD37□-6-A	AD47□-6-A	—	—
		Normally open (N.O.)	With bowl guard	—	AD38□-6-A	AD48□-6-A	—	—
			—	—	—	—	—	—
Metal	Manual	With drain cock	—	C2SF-2-A	C3SF-2-A	C4SF-2-A	—	—
			With level gauge	—	C3LF-8-A	C4LF-8-A	—	—
		With drain guide (without valve function)	—	C2SF□-2J-A	C3SF□-2J-A	C4SF□-2J-A	—	—
			With level gauge	—	C3LF□-8J-A	C4LF□-8J-A	—	—
	Automatic (Auto drain)	Normally closed (N.C.)	—	AD27-2-A	AD37□-2-A	AD47□-2-A	—	—
			With level gauge	—	AD37□-8-A	AD47□-8-A	—	—
		Normally open (N.O.)	—	—	AD38□-2-A	AD48□-2-A	—	—
			With level gauge	—	AD38□-8-A	AD48□-8-A	—	—

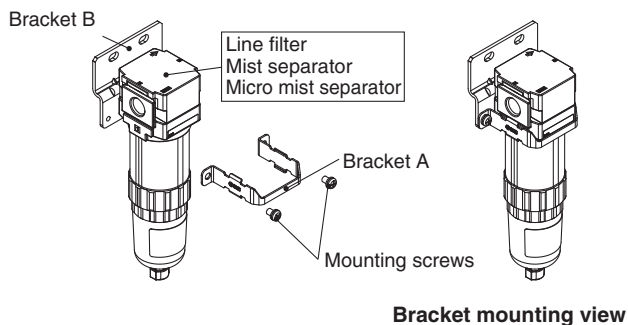
\* The bowl assembly for sizes 20 to 40 comes with a bowl seal. The bowl assembly for sizes 50 and 60 comes with a flange and a bowl seal.

\* The □ in the bowl assembly part numbers is for indicating the pipe thread type (applicable tubing for the auto drain). No indication is necessary for an RC thread; however, indicate "N" for an NPT thread, and "F" for a G thread. (For auto drain, —: Ø 10, N: Ø 3/8") Please contact SMC separately for psi and °F unit display specifications.

### Option/Part Nos.

Description	Part number			
	20	30	40	50, 60
<b>Bracket assembly</b>	AF24P-070AS	AF34P-070AS	AF44P-070AS	AF54P-070AS
<b>Auto drain</b>	Refer to "Bowl Assembly/Part Nos."			

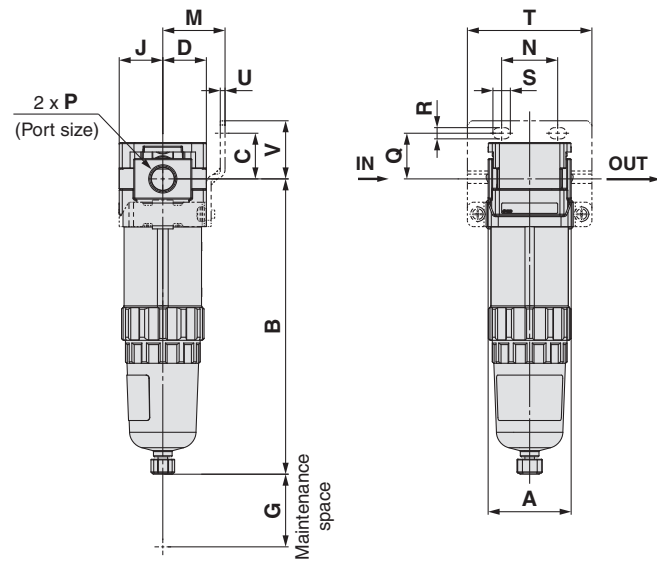
\* The assembly consists of an A and B bracket and 2 mounting screws.



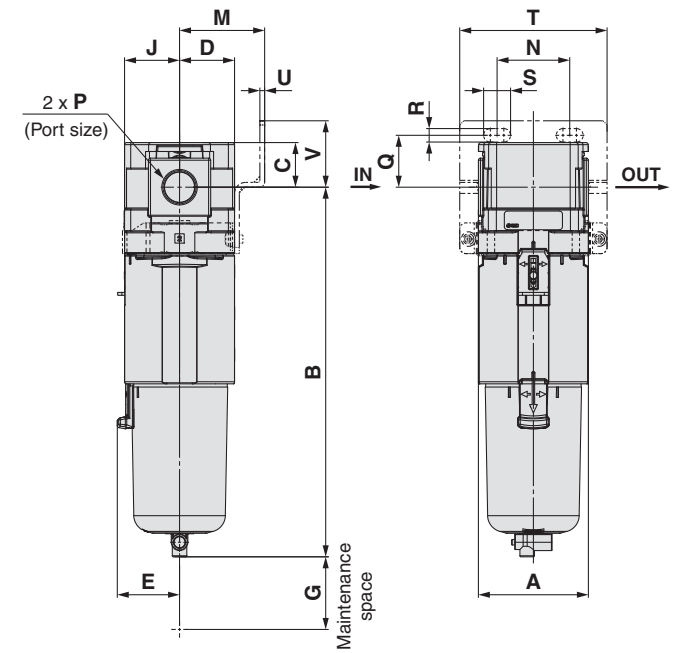
# AFF/AM/AMD Series

## Dimensions

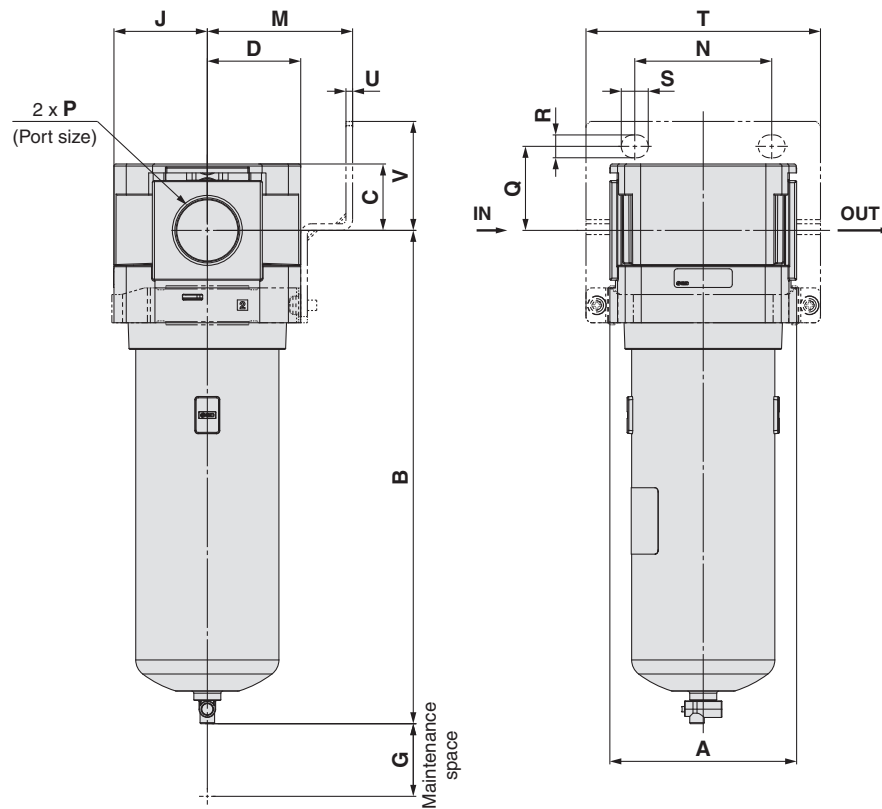
### AFF/AM/AMD20



### AFF/AM/AMD30 AFF/AM/AMD40

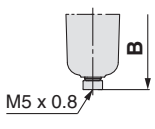
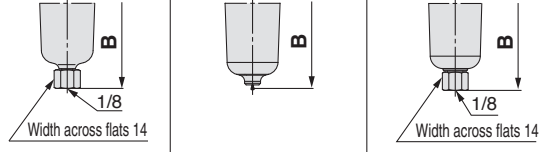
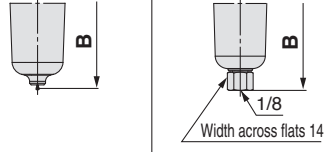
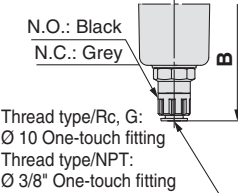
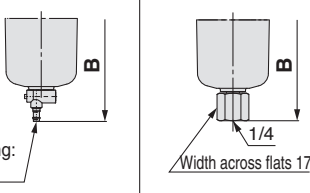


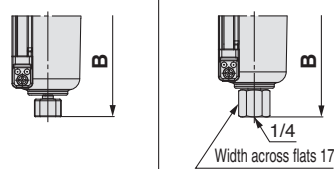
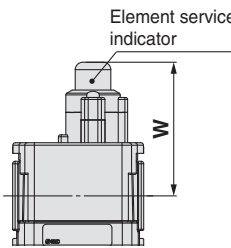
### AFF/AM/AMD50 AFF/AM/AMD60





## Dimensions

Applicable model	Optional specifications		Semi-standard			
	With auto drain	PC/PA bowl*1 Stainless steel bowl*2		Metal bowl*1		
		Drain cock with barb fitting	With drain guide	With drain cock	With drain guide	
<b>AFF/AM/AMD20</b>						
<b>AFF/AM/AMD30</b> <b>AFF/AM/AMD40</b> <b>AFF/AM/AMD50</b> <b>AFF/AM/AMD60</b>						

Applicable model	Semi-standard		
	Metal bowl with level gauge*1		Element service indicator
	With drain cock	With drain guide	
<b>AFF/AM/AMD20</b>			
<b>AFF/AM/AMD30</b> <b>AFF/AM/AMD40</b> <b>AFF/AM/AMD50</b> <b>AFF/AM/AMD60</b>			

\*1 Available for sizes 20 to 40  
\*2 Available for sizes 50 and 60

Model	Standard specifications																	Optional specifications	
	Bracket mount																With auto drain		
	P	A	B	C	D	E	G	J	M	N	Q	R	S	T	U	V		B	
<b>AFF20-D/AM20-D/AMD20-D</b>	1/8, 1/4	40	142.3	17.5	21	—	25	21	30	27	22	5.4	8.4	60	2.3	28	159.6		
<b>AFF30-D/AM30-D/AMD30-D</b>	1/4, 3/8	53	178.1	21.5	26.5	30	35	26.5	41	35	25	6.5	13	71	2.3	32	219.8		
<b>AFF40-D/AM40-D/AMD40-D</b>	1/4, 3/8, 1/2	70	223.5	25.5	35.5	38.4	40	35.5	50	52	30	8.5	12.5	88	2.3	39	263.3		
<b>AFF50-D/AM50-D/AMD50-D</b>	3/4, 1	90	237.7	32	45	—	30	45	70	66	40.5	11	13	113	3.2	52.5	259.2		
<b>AFF60-D/AM60-D/AMD60-D</b>	1	90	314.8	32	45	—	30	45	70	66	40.5	11	13	113	3.2	52.5	336.3		

Model	Semi-standard specifications						
	PC/PA bowl*1 Stainless steel bowl*2		Metal bowl*1		Metal bowl with level gauge*1		Element service indicator
	With barb fitting	With drain guide	With drain cock	With drain guide	With drain cock	With drain guide	
	B	B	B	B	B	B	
<b>AFF20-D/AM20-D/AMD20-D</b>	—	146.1	142.1	148.6	—	—	50.6
<b>AFF30-D/AM30-D/AMD30-D</b>	186.6	184.9	180.6	185.1	200.6	205.1	54.3
<b>AFF40-D/AM40-D/AMD40-D</b>	232	230.3	225.9	230.4	245.9	250.4	58.3
<b>AFF50-D/AM50-D/AMD50-D</b>	246.2	244.5	—	—	—	—	64.3
<b>AFF60-D/AM60-D/AMD60-D</b>	323.3	321.6	—	—	—	—	64.3

\*1 Available for sizes 20 to 40  
\*2 Available for sizes 50 and 60



# Compressed Air Preparation Filter

Activated Carbon Filter

## AMK Series



### Symbol



### How to Order

**AMK** **30** - **F** **03** **B** -  - **D**

①      ②      ③      ④      ⑤      ⑥

· Option/Semi-standard: Select one each for a to d.  
 · Option/Semi-standard symbol: When more than one specification is required, indicate in alphanumeric order.  
 Example) AMK30-N03B-6RZ-D

	Symbol	Description	②						
			Body size						
			20	30	40	50	60		
①	Filter type	<b>AMK</b> Activated carbon filter	●	●	●	●	●		
		+							
③	Thread type	—	Rc	●	●	●	●	●	
		<b>N</b>	NPT	●	●	●	●	●	
		<b>F</b>	G	●	●	●	●	●	
		+							
④	Port size	<b>01</b>	1/8	●	—	—	—	—	
		<b>02</b>	1/4	●	●	●	—	—	
		<b>03</b>	3/8	—	●	●	—	—	
		<b>04</b>	1/2	—	—	●	—	—	
		<b>06</b>	3/4	—	—	—	●	—	
		<b>10</b>	1	—	—	—	●	●	
		+							
⑤	Option a	Mounting	—	Without mounting option	●	●	●	●	●
			<b>B</b> *1	With bracket	●	●	●	●	●
		+							
⑥	Semi-standard b	Bowl*2	—	Polycarbonate bowl	●	●	●	—	—
			—	Stainless steel bowl	—	—	—	●	●
			<b>2</b>	Metal bowl	●	●	●	—	—
			<b>6</b>	Nylon bowl	●	●	●	—	—
			<b>C</b>	With bowl guard	●	—*3	—*3	—	—
			<b>6C</b>	With bowl guard (Nylon bowl)	●	—*4	—*4	—	—
			+						
	c	Flow direction	—	Flow direction: Left to right	●	●	●	●	●
			<b>R</b>	Flow direction: Right to left	●	●	●	●	●
			+						
d	Pressure unit	—	Name plate and caution plate in SI units: MPa/°C	●	●	●	●	●	
		<b>Z</b> *5	Name plate and caution plate in imperial units: psi/°F	○*6	○*6	○*6	○*6	○*6	

\*1 The assembly consists of 2 types of brackets and 2 mounting screws.

\*2 Refer to the chemical data on page 29 for chemical resistance of the bowl.

\*3 A bowl guard is provided as standard equipment (polycarbonate).

\*4 A bowl guard is provided as standard equipment (nylon).

\*5 For pipe thread type: NPT

This product is for overseas use only according to the new Measurement Act. (The SI unit type is provided for use in Japan.)

\*6 ○: For pipe thread type: NPT only

## Activated Carbon Filter AMK Series

### Standard Specifications

Model		AMK20	AMK30	AMK40	AMK50	AMK60
<b>Fluid</b>		Compressed air				
<b>Ambient and fluid temperatures</b>	°C	-5 to 60 (No freezing)				
<b>Proof pressure</b>	MPa	1.5				
<b>Max. operating pressure</b>	MPa	1.0				
<b>Min. operating pressure</b>	MPa	0.05				
<b>Oil concentration on the outlet side*1, *2</b>	mg/m <sup>3</sup>	0.003 (≈ 0.0025 ppm) or less				
<b>Compressed air purity class*3</b>	—	ISO 8573-1: 2010 [ 1 : 4 : 1 ]*4				
<b>Max. flow capacity*5</b>	l/min (ANR)	300	750	1500	2200	3700
<b>Port size</b>	—	1/8, 1/4	1/4, 3/8	1/4, 3/8, 1/2	3/4, 1	1
<b>Bowl material</b>		Polycarbonate			Stainless steel	
<b>Bowl guard</b>		Semi-standard (Steel)	Standard (Polycarbonate)		—	
<b>Weight</b>	kg	0.19	0.39	0.79	1.25	1.50

\*1 For the following conditions in addition to the conditions above

- When a micro mist separator (AMD series) is installed on the inlet side
- When the air flow capacity, upstream pressure, and oil concentration on the filter inlet side are stable
- When a new element is used

\*2 The bowl seal and other O-rings are slightly lubricated.

\*3 The compressed air purity class is indicated based on ISO 8573-1:2010 Compressed air – Part 1: Contaminants and purity classes. For details on this standard, refer to page 28.

\*4 The compressed air quality class on the inlet side is [ 1 : 4 : 2 ].

\*5 Inlet pressure: 0.7 MPa

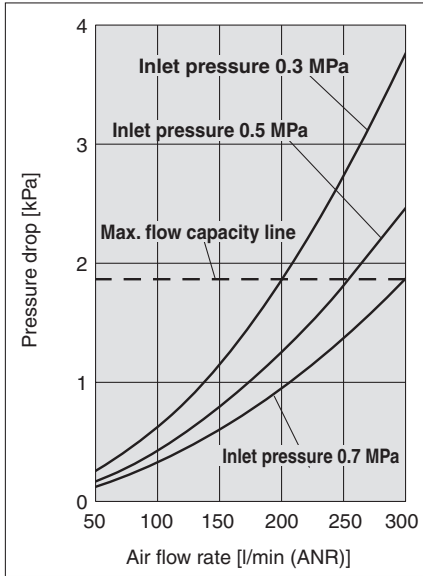
Flow at 20 °C, atmospheric pressure, and 65 % of the relative humidity

## Activated Carbon Filter AMK Series

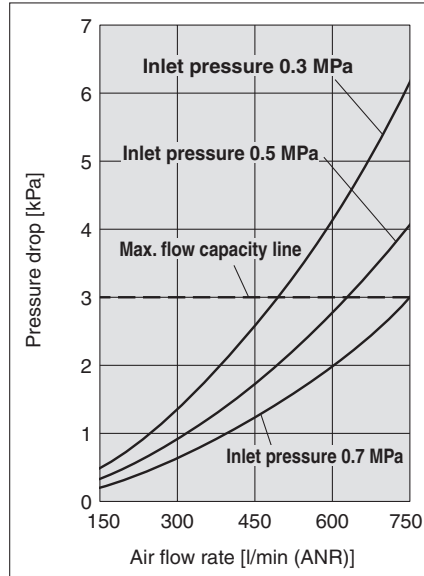
### Flow Rate Characteristics (Representative values)

\* Compressed air over the max. flow capacity line in the table below may not meet the specifications of the product.

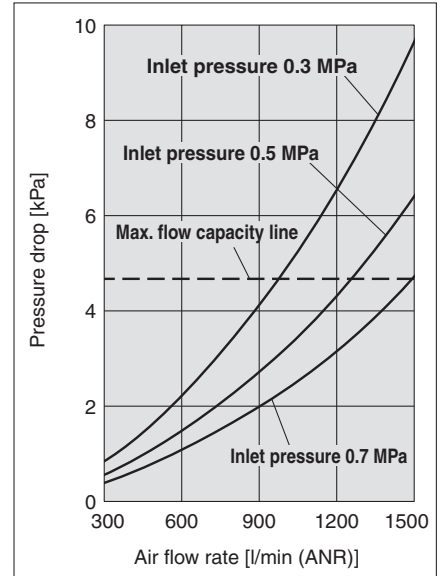
**AMK20**



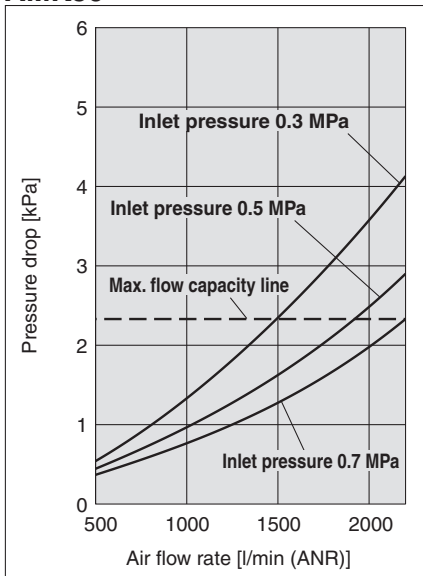
**AMK30**



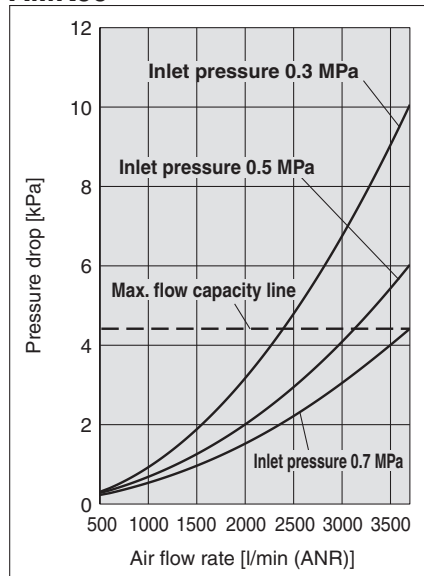
**AMK40**



**AMK50**



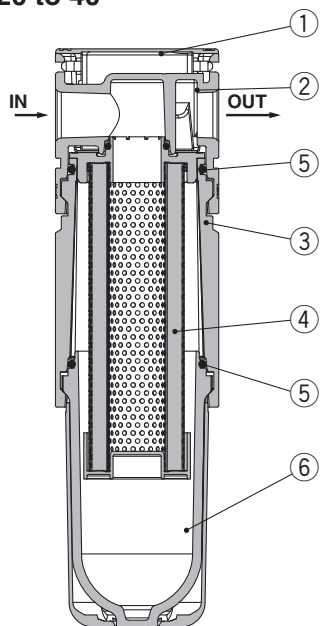
**AMK60**



# AMK Series

## Construction

### Size 20 to 40



### Component Parts

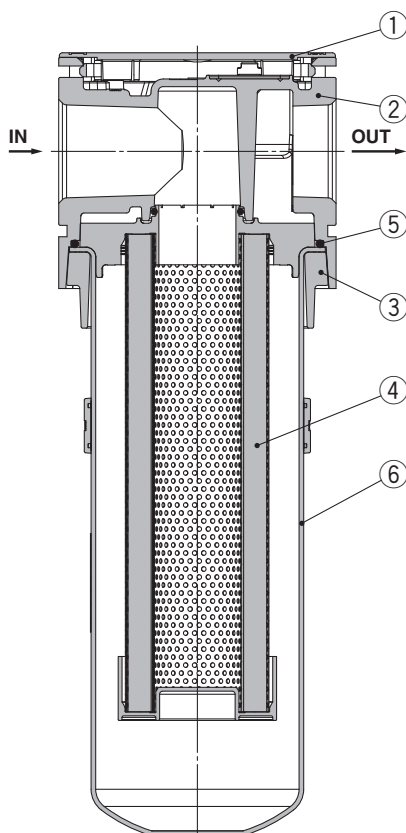
No.	Description	Material
1	Body cover	Resin
2	Body	Aluminium die-cast
3	Joint	Aluminium die-cast

### Replacement Parts

No.	Description	Part number		
		AMK20	AMK30	AMK40
4	Element	AMK24P-060AS	AMK34P-060AS	AMK44P-060AS
5	Bowl seal	C2SFP-260S	C32FP-260S	C42FP-260S
6	Bowl assembly	Refer to "Bowl Assembly/Part Nos."		

\* When it is time to replace the element, refer to the maintenance instructions in the specific product precautions (page 30).

### Size 50/60



### Component Parts

No.	Description	Material
1	Body cover	Resin
2	Body	Aluminium die-cast
3	Flange	Aluminium die-cast

### Replacement Parts

No.	Description	Part number	
		50	60
4	Element	AMK54P-060AS	AMK64P-060AS
5	Bowl seal	AM54P-160S	
6	Bowl assembly	Refer to "Bowl Assembly/Part Nos."	

## Construction

### Bowl Assembly/Part Nos.

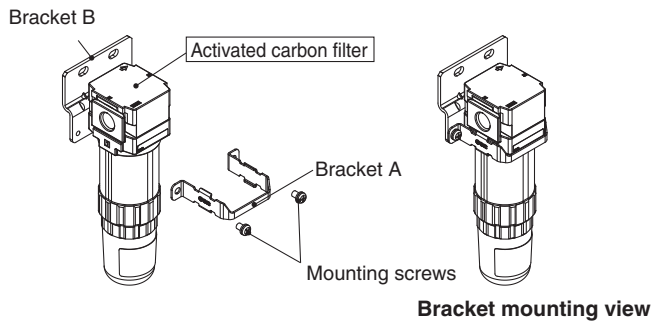
Bowl material	Other	Model				
		AMK20	AMK30	AMK40	AMK50	AMK60
Polycarbonate, Stainless steel	—	C2SF-D-X401	C3SK-D	C4SK-D	AMK54P-120AS	AMK64P-120AS
	With bowl guard	C2SK-C-D	—	—	—	—
Nylon	—	C2SF-6-A-X401	C3SK-6-D	C4SK-6-D	—	—
	With bowl guard	C2SK-6C-D	—	—	—	—
Metal	—	C2SF-2-A-X401	C3SF-2-A-X401	C4SF-2-A-X401	—	—

\* The bowl assembly for sizes 20 to 40 comes with a bowl seal. The bowl assembly for sizes 50 and 60 comes with a flange and a bowl seal. Please contact SMC separately for psi and °F unit display specifications.

### Option/Part Nos.

Description	Part number			
	AMK20	AMK30	AMK40	AMK50, 60
<b>Bracket assembly</b>	AF24P-070AS	AF34P-070AS	AF44P-070AS	AF54P-070AS

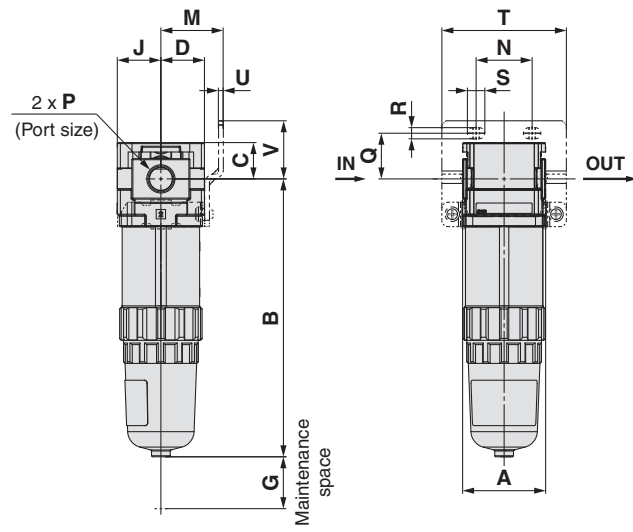
\* The assembly consists of an A and B bracket and 2 mounting screws.



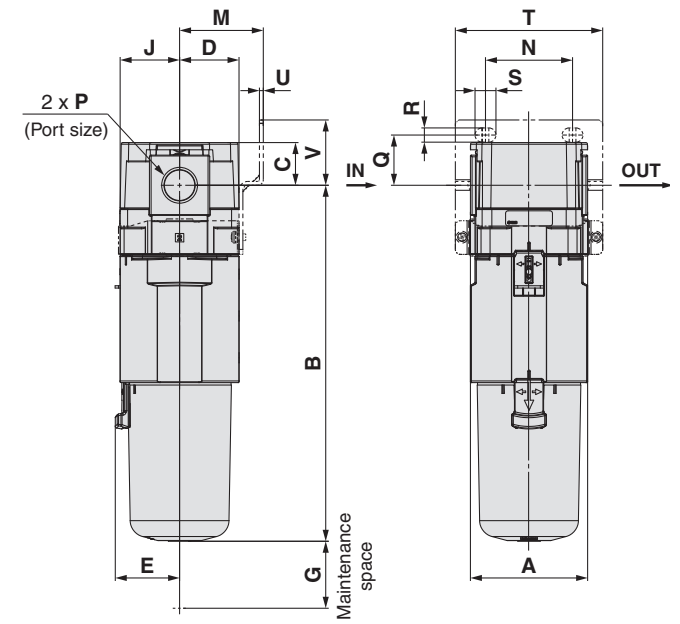
# AMK Series

## Dimensions

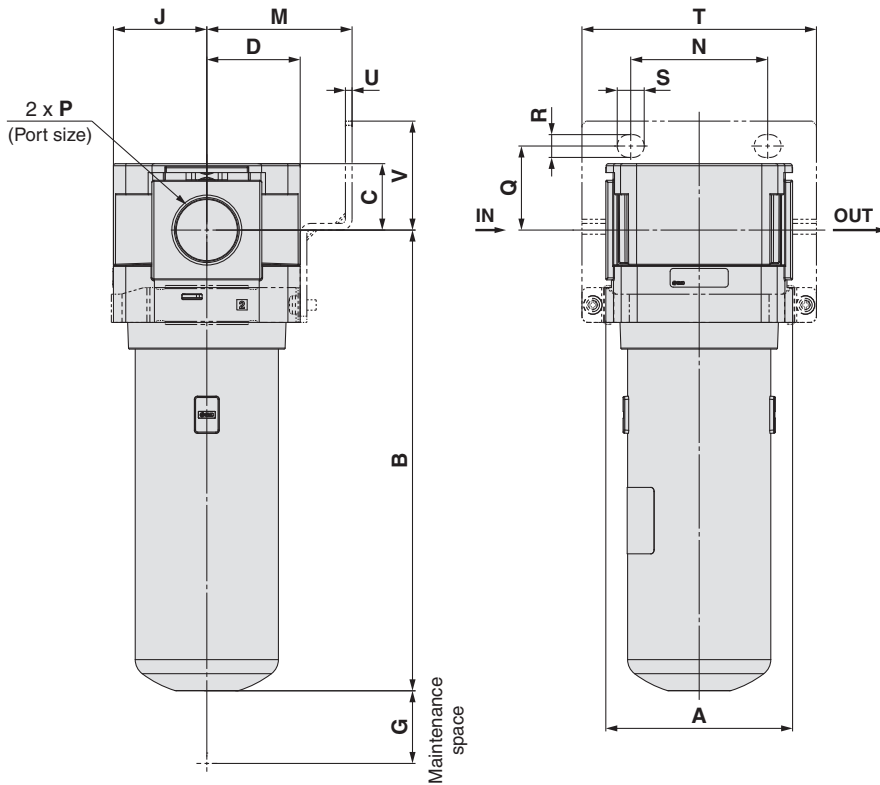
### AMK20



### AMK30 AMK40

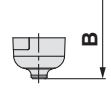
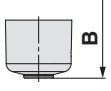


### AMK50 AMK60





## Dimensions

Applicable model	Semi-standard
	Metal bowl
<b>AMK20-D</b>	
<b>AMK30-D</b> <b>AMK40-D</b>	

Model	Standard specifications								Optional specifications							
	P	A	B	C	D	E	G	J	Bracket mount							
									M	N	Q	R	S	T	U	V
<b>AMK20-D</b>	1/8, 1/4	40	133.9	17.5	21	—	25	21	30	27	22	5.4	8.4	60	2.3	28
<b>AMK30-D</b>	1/4, 3/8	53	167	21.5	26.5	30	35	26.5	41	35	25	6.5	13	71	2.3	32
<b>AMK40-D</b>	1/4, 3/8, 1/2	70	212.5	25.5	35.5	38.4	40	35.5	50	52	30	8.5	12.5	88	2.3	39
<b>AMK50-D</b>	3/4, 1	90	222	32	45	—	30	45	70	66	40.5	11	13	113	3.2	52.5
<b>AMK60-D</b>	1	90	299.1	32	45	—	30	45	70	66	40.5	11	13	113	3.2	52.5

Model	Semi-standard specifications
	Metal bowl
	<b>B</b>
<b>AMK20-D</b>	139.1
<b>AMK30-D</b>	167
<b>AMK40-D</b>	212.4
<b>AMK50-D</b>	—
<b>AMK60-D</b>	—

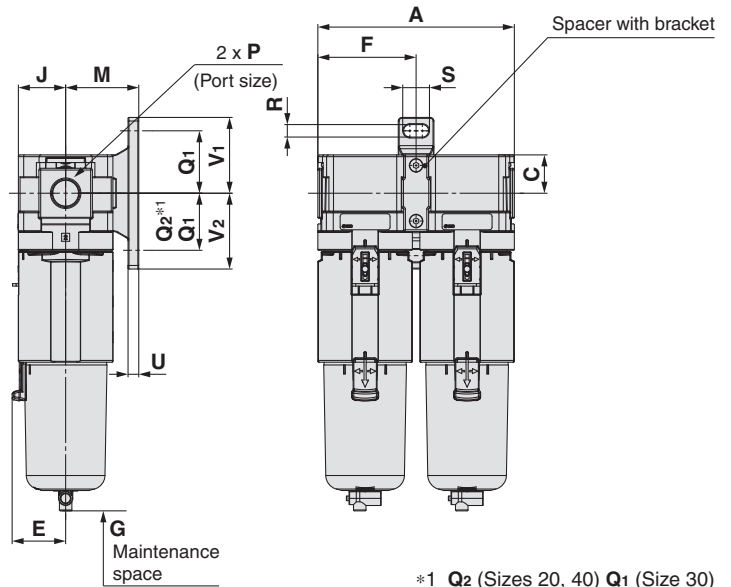
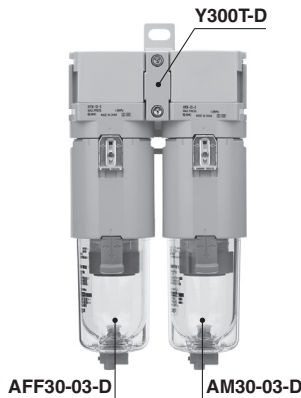
# AFF/AM/AMD/AMK Series Modular Connection Example (Dimensions)

Products do not come assembled. They should be ordered separately and assembled by the customer.

For modular connection units (shipped assembled), the simple specials system can be used. For details, refer to page 5.

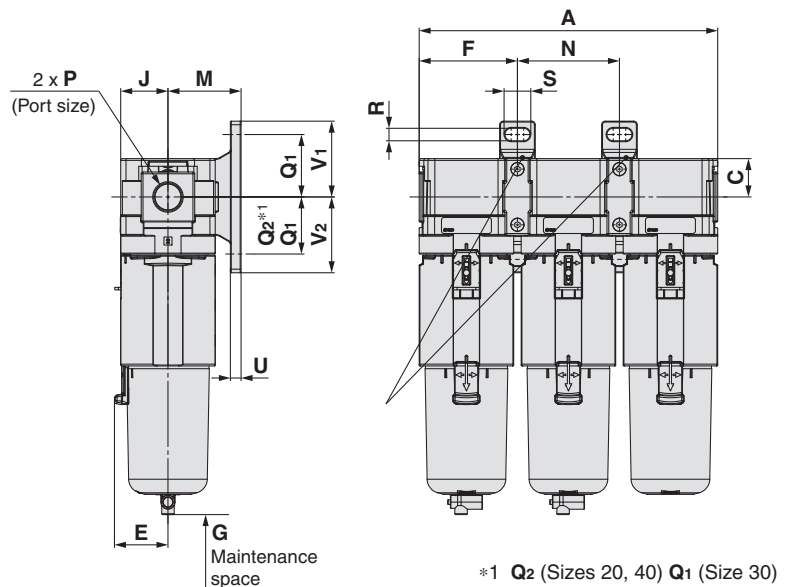
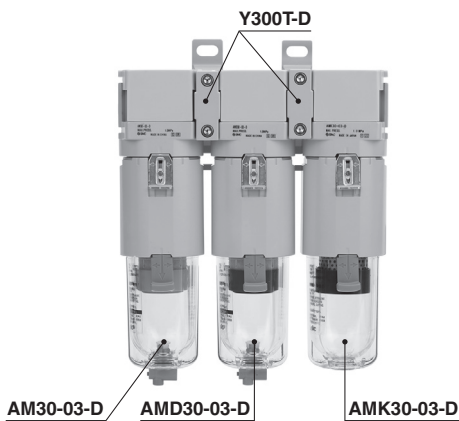
## Combination example ①

- Line Filter AFF30-03-D ————— 1 pc.
- Mist Separator AM30-03-D ————— 1 pc.
- Spacer with Bracket Y300T-D ————— 1 pc.



## Combination example ②

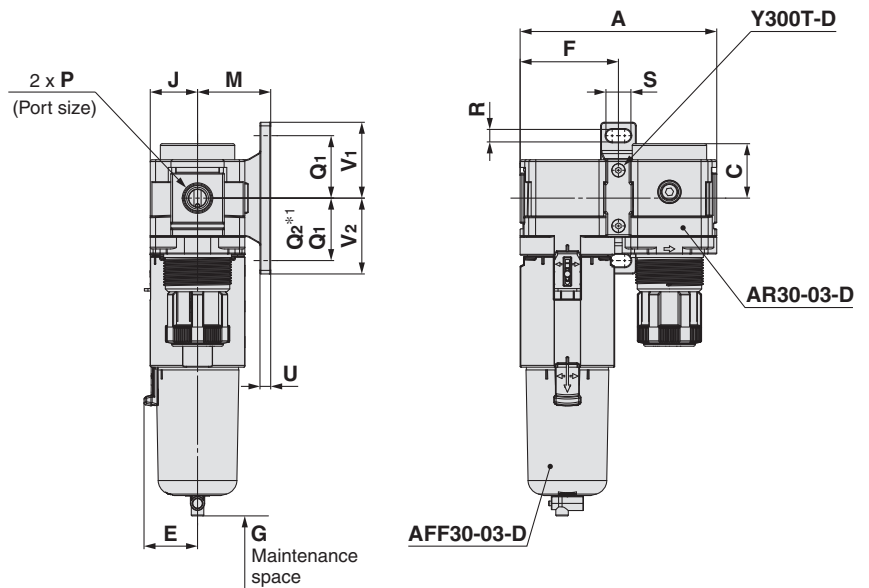
- Mist Separator AM30-03-D ————— 1 pc.
- Micro Mist Separator AMD30-03-D ————— 1 pc.
- Activated Carbon Filter AMK30-03-D ————— 1 pc.
- Spacer with Bracket Y300T-D ————— 2 pcs.



Model	Number of components	Standard specifications							Optional specifications								
		P	A	C	E	F	G	J	Bracket mount								
									M	N	Q1	Q2	R	S	U	V1	V2
Size 20	2	1/8, 1/4	83.2	17.5	—	41.6	25	21	30	—	24	33	5.5	11.5	3.5	29	38
	3		43.2														
Size 30	2	1/4, 3/8	110.2	21.5	30	55.1	35	26.5	41	—	35	—	7	14	6	42.5	42.5
	3		57.2														
Size 40	2	1/4, 3/8, 1/2	145.2	25.5	38.4	72.6	40	35.5	50	—	40	55	9	18	7	50	65
	3		75.2														
Size 50	2	3/4, 1	186.2	32	—	93.1	30	45	70	—	50	70	11	20	8	60	80
	3		96.2														
Size 60	2	1	186.2	32	—	93.1	30	45	70	—	50	70	11	20	8	60	80
	3		96.2														

## Combination example ③

- Line Filter AFF30-03-D ————— 1 pc.
- Regulator AR30-03-D ————— 1 pc.
- Spacer with Bracket Y300T-D ————— 1 pc.

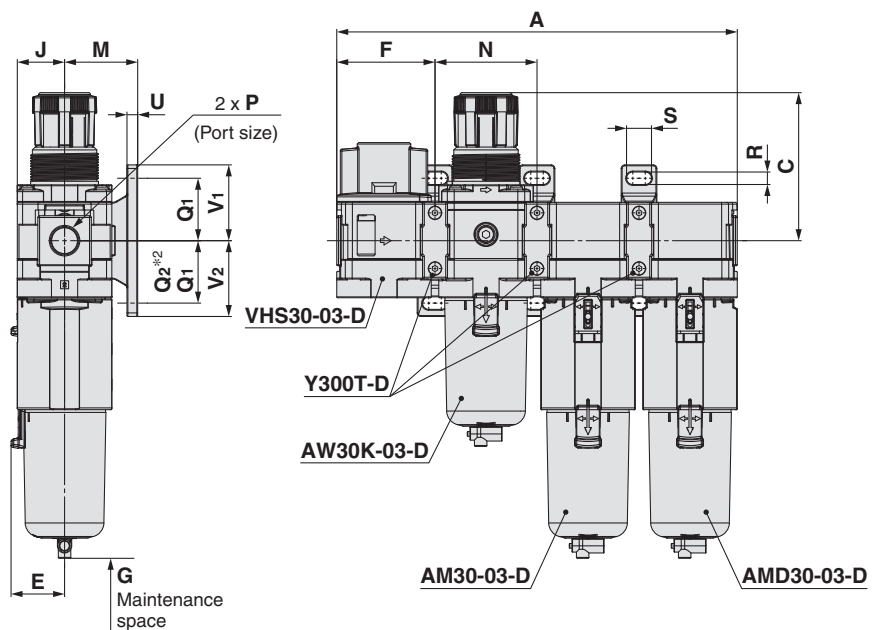


\*1 Q<sub>2</sub> (Sizes 20, 40) Q<sub>1</sub> (Size 30)

Model	Number of components	Standard specifications							Optional specifications							
		P	A	C	E	F	G	J	M	Q <sub>1</sub>	Q <sub>2</sub>	R	S	U	V <sub>1</sub>	V <sub>2</sub>
Size 20	2	1/8, 1/4	83.2	26.5	—	41.6	25	21	30	24	33	5.5	11.5	3.5	29	38
Size 30	2	1/4, 3/8	110.2	30.5	30	55.1	35	26.5	41	35	—	7	14	6	42.5	42.5
Size 40	2	1/4, 3/8, 1/2	145.2	35.5	38.4	72.6	40	35.5	50	40	55	9	18	7	50	65
Size 50	2	3/4, 1	186.2	43	—	93.1	30	45	70	50	70	11	20	8	60	80
Size 60	2	1	191.2	45	—	93.1	30	45	70	50	70	11	20	8	60	80

## Combination example ④

- Pressure Relief 3-port Valve VHS30-03-D ————— 1 pc.
- Filter Regulator AW30K-03-D ————— 1 pc.
- Mist Separator AM30-03-D ————— 1 pc.
- Micro Mist Separator AMD30-03-D — 1 pc.
- Spacer with Bracket Y300T-D ————— 3 pcs.



\*2 Q<sub>2</sub> (Sizes 20, 40) Q<sub>1</sub> (Size 30)

Model	Number of components	Standard specifications							Optional specifications								
		P	A	C	E	F	G	J	M	N	Q <sub>1</sub>	Q <sub>2</sub>	R	S	U	V <sub>1</sub>	V <sub>2</sub>
Size 20	4	1/8, 1/4	169.6	71.8	—	41.6	25	21	30	43.2	24	33	5.5	11.5	3.5	29	38
Size 30	4	1/4, 3/8	224.6	86.5	30	55.1	35	26.5	41	57.2	35	—	7	14	6	42.5	42.5
Size 40	4	1/4, 3/8, 1/2	295.6	91.5	38.4	72.6	40	35.5	50	75.2	40	55	9	18	7	50	65
Size 50	4	3/4, 1	383.6	155	—	93.1	30	45	70	101.2	50	70	11	20	8	60	80

# AFF/AM/AMD/AMK Series

## Accessories Sold Separately (for Individual Parts)

### Spacer / Spacer with Bracket

Y 300 □ - D

①      ②

		①			
		Body size [Applicable size]			
Symbol	Description	200	300	400	600
		[AFF20 AM20 AMD20 AMK20]	[AFF30 AM30 AMD30 AMK30]	[AFF40 AM40 AMD40 AMK40]	[AFF50, AFF60 AM50, AM60 AMD50, AMD60 AMK50, AMK60]
②	Bracket	—	Spacer		
		T	Spacer with bracket		
		●	●	●	●
		●	●	●	●

Spacer  
(Y□-D)



Spacer with bracket  
(Y□T-D)



### Standard Specifications

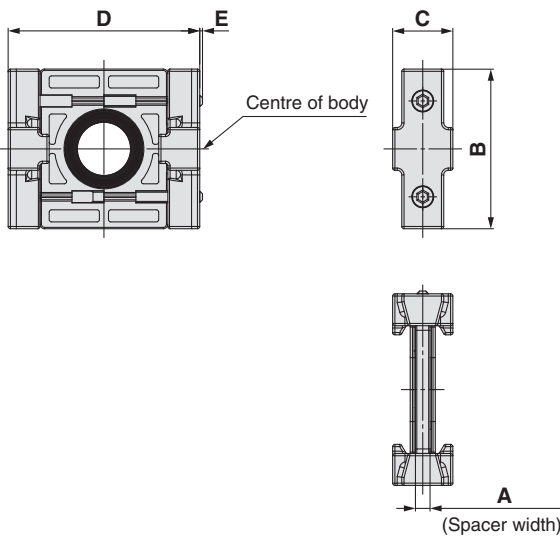
Fluid	Air
Ambient and fluid temperatures	-5 to 60 °C (No freezing)
Proof pressure	1.5 MPa
Max. operating pressure	1.0 MPa

### Replacement Parts

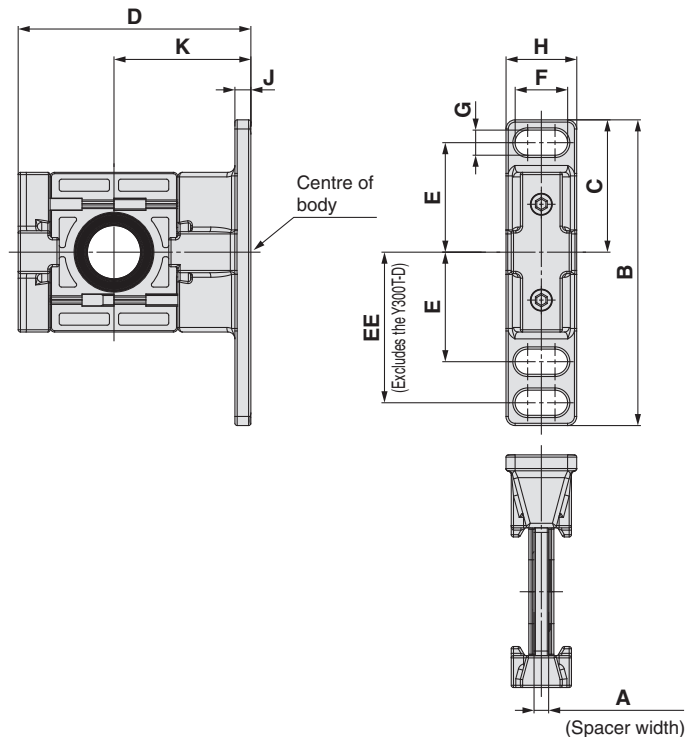
Description	Material	Part number			
		Y200-D Y200T-D	Y300-D Y300T-D	Y400-D Y400T-D	Y600-D Y600T-D
Seal	HNBR	Y220P-050S	Y320P-050S	Y420P-050S	Y620P-050S

### Dimensions

#### Spacer



#### Spacer with bracket



Part no.	A	B	C	D	E	Applicable model
Y200-D	3.2	35	13.2	42	0.6	AFF/AM/AMD/AMK20
Y300-D	4.2	43	16.2	53	—	AFF/AM/AMD/AMK30
Y400-D	5.2	51	19.2	71	—	AFF/AM/AMD/AMK40
Y600-D	6.2	64	27.2	90	—	AFF/AM/AMD/AMK50 AFF/AM/AMD/AMK60

Part no.	A	B	C	D	E	EE	F	G	H	J	K	Applicable model
Y200T-D	3.2	67	29	51	24	33	11.5	5.5	15.5	3.5	30	AFF/AM/AMD/AMK20
Y300T-D	4.2	85	42.5	67.5	35	—	14	7	20	6	41	AFF/AM/AMD/AMK30
Y400T-D	5.2	115	50	85.5	40	55	18	9	26	7	50	AFF/AM/AMD/AMK40
Y600T-D	6.2	140	60	115	50	70	20	11	31.2	8	70	AFF/AM/AMD/AMK50 AFF/AM/AMD/AMK60

# International Standard ISO 8573-1:2010

## Compressed Air Purity Classes

Compressed air is used in a variety of manufacturing processes. In this age, compressed air with a high degree of purity is becoming increasingly necessary.

For this reason, it is necessary to remove contaminants from systems which supply compressed air and to secure the quality. The standard which stipulates the class according to the quantities of contaminants in compressed air is ISO 8573-1.

### [Outline]

Stipulates the purity class of contaminants (particles, water, oil) mixed in with the compressed air

### [Scope]

Can be used in various places in compressed air systems

### [Purity Classes]

Class	Particles			Mass concentration Cp [mg/m <sup>3</sup> ]	Humidity and liquid water		Oil Concentration of total oil [mg/m <sup>3</sup> ]
	Maximum number of particles per cubic meter as a function of particle size d [μm]				Pressure dew point [°C]	Concentration of liquid water Cw [g/m <sup>3</sup> ]	
	0.1 < d ≤ 0.5	0.5 < d ≤ 1.0	1.0 < d ≤ 5.0				
0	As specified by the equipment user or supplier and more stringent than class 1						
1	≤ 20000	≤ 400	≤ 10	—	≤ -70	—	≤ 0.01
2	≤ 400000	≤ 6000	≤ 100	—	≤ -40	—	≤ 0.1
3	—	≤ 90000	≤ 1000	—	≤ -20	—	≤ 1
4	—	—	≤ 10000	—	≤ +3	—	≤ 5
5	—	—	≤ 100000	—	≤ +7	—	—
6	—	—	—	0 < Cp ≤ 5	≤ +10	—	—
7	—	—	—	5 < Cp ≤ 10	—	Cw ≤ 0.5	—
8	—	—	—	—	—	0.5 < Cw ≤ 5	—
9	—	—	—	—	—	5 < Cw ≤ 10	—
x	—	—	—	Cp > 10	—	Cw > 10	> 5

### [Terms and Definitions]

- Purity class: An index assigned for each classification obtained by dividing the concentration of each contaminant into ranges
- Particle: Small discrete mass of solid or liquid matter
- Humidity and liquid water: Water vapour (gas), Water droplets
- Oil: Liquid oil, Oil mist, Oil vapour

### [How to Perform a Test to Check the Performance]

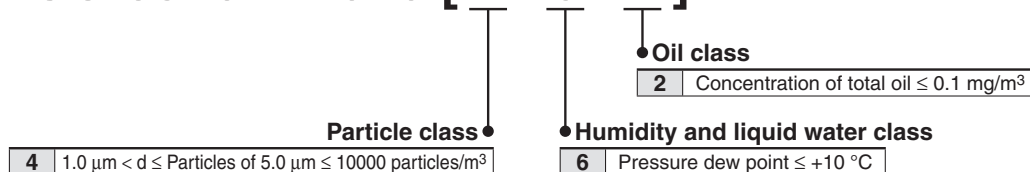
ISO 12500, which sets out the test method to be used in order to check the filter performance for each of the three kinds of contaminants, is indicated below.

- Particle: ISO 12500-3:2009
- Liquid water: ISO 12500-4:2009
- Oil: ISO 12500-1:2007

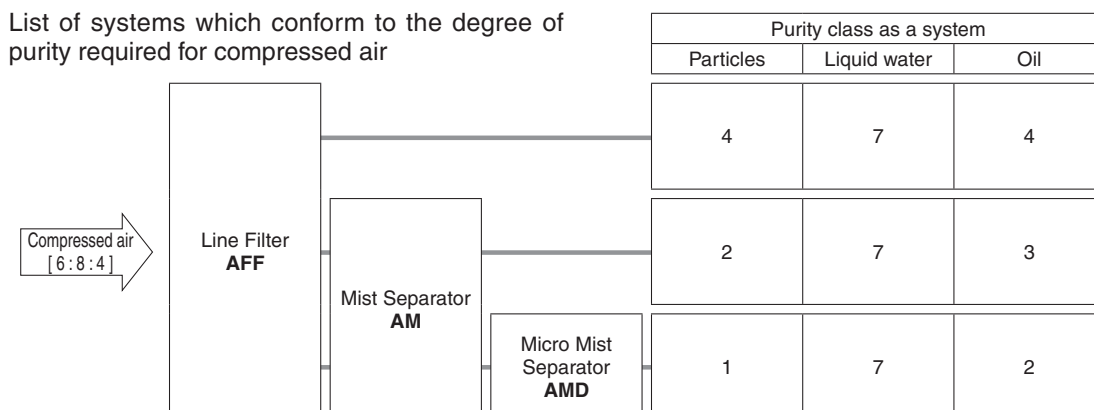
\* Measured using a dedicated evaluation system which has been certified according to ISO 12500-□ and also by a third party (Certified)

### [Purity Class Designation Example]

## ISO 8573-1:2010 [ 4 : 6 : 2 ]



List of systems which conform to the degree of purity required for compressed air



The class indicates the compressed air purity according to ISO 8573-1:2010 (JIS B 8392-1:2012) and indicates the maximum purity class which can be obtained using that system. Note, however, that this value will differ according to the inlet air conditions.



# AFF/AM/AMD/AMK Series

## Specific Product Precautions 1

Be sure to read this before handling the products. Refer to the back cover for safety instructions. For air preparation equipment precautions, refer to the "Handling Precautions for SMC Products" and the "Operation Manual" on the SMC website: <https://www.smc.eu>

### Design

#### Warning

##### 1. Resin is used for some of the external parts such as the bowl (Material: polycarbonate).

Organic solvents including thinner, acetone, alcohol, and ethylene chloride; chemicals including sulfuric acid, nitric acid, and hydrochloric acid; cutting oil, synthetic oil, ester-based compressor oil, alkali, kerosene, gasoline, and lock thread adhesive are harmful. Do not use the product where these are present.

Effects of organic solvents and chemicals on the equipment. Shown below is the chemical data of substances which cause degradation for reference.

Type	Chemical name	Application examples	Material	
			Polycarbonate	Nylon
Acid	Hydrochloric acid Sulfuric acid Phosphoric acid Acetic acid Chromic acid	Acid washing liquid for metals	△	×
Alkaline	Sodium hydroxide (Caustic soda) Potash Calcium hydroxide (Slack lime) Ammonia water Sodium carbonate	Degreasing of metals Industrial salts Water-soluble cutting oil	×	○
Inorganic salts	Sodium sulfide Potassium nitrate Sodium sulfate	—	×	△
Chlorine solvents	Carbon tetrachloride Chloroform Ethylene chloride Methylene chloride	Cleansing liquid for metals Printing ink Dilution	×	△
Aromatic series	Benzene Toluene Paint thinner	Coatings Dry cleaning	×	△
Ketone	Acetone Methyl ethyl ketone Cyclohexane	Photographic film Dry cleaning Textile industries	×	×
Alcohol	Ethyl alcohol IPA Methyl alcohol	Antifreeze Adhesives	△	×
Oil	Gasoline Kerosene	—	×	○
Ester	Phthalic acid dimethyl Phthalic acid diethyl	Synthetic oil Anti-rust additives	×	○
Ether	Methyl ether Ethyl ether	Brake oil additives	×	○
Amino	Methyl amino	Cutting oil Brake oil additives Rubber accelerator	×	×
Others	Thread-lock fluid Seawater Leak tester	—	×	△

○: Essentially safe △: Some effects may occur. ×: Effects will occur.

When the above factors are present, or there is some doubt, use a metal bowl for safety.

### Design

#### Warning

- Applications in which the difference between the inlet and outlet pressure exceeds 0.1 MPa must be avoided. Failure to do so may result in element breakage.
- For air blow applications, prevent airborne particles from the operating environment from entering into the compressed air stream. Foreign matter may adhere to workpieces during air blow as a result.
- If air equipment is installed on the outlet side of the product, particles may be generated from the equipment and thus the required cleanliness may not be obtained. Please consider installing air equipment on the inlet side of the product.

#### Caution

- The activated carbon filter (AMK series) adsorbs the oil vapour contained in compressed air and removes the odour derived from it, but it does not remove all odour.

### Selection

#### Warning

- Select a model so that the max. discharge (instantaneous) flow rate value does not exceed the max. flow capacity.
- Use the N.O. type auto drain under the following conditions to avoid a malfunction.  
Output of compressor: 0.75 kW or more  
Discharged flow rate: 100 l/min (ANR) or more  
If multiple auto drains are to be used, confirm whether the compressor has a sufficient capacity by multiplying the above capacity by the number of auto drains to be used.  
{ For example, in order to use 2 auto drains, the compressor needs a capacity of 1.5 kW [200 l/min (ANR)] or more. } Set the operating pressure at 0.1 MPa or more.
- Use the N.C. type auto drain under the following conditions to avoid a malfunction.  
Operating pressure for size 20: 0.1 MPa or more  
Operating pressure for sizes 30 to 60: 0.15 MPa or more

### Mounting

#### Warning

- Connect the product according to the "1 (IN) and "2 (OUT) indications or the arrows for air direction. Incorrect connection may result in a malfunction.
- Install with adequate space for maintenance beneath the product. Refer to the dimensions of each part for the necessary amount of space.
- Install vertically so that the drain outlet turns downward. Using with the drain outlet turned horizontal or upward may result in a malfunction.



# AFF/AM/AMD/AMK Series

## Specific Product Precautions 2

Be sure to read this before handling the products. Refer to the back cover for safety instructions. For air preparation equipment precautions, refer to the “Handling Precautions for SMC Products” and the “Operation Manual” on the SMC website: <https://www.smc.eu>

### Piping

#### Warning

1. Tighten the 2 holding screws on the spacer with bracket or spacer evenly.

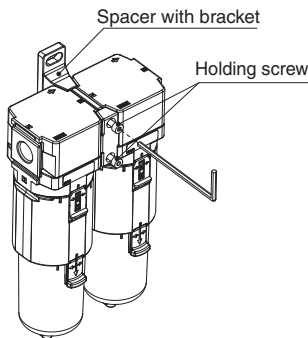
Tighten them to the recommended tightening torque.

Insufficient tightening torque may result in loosening or sealing failure. Excessive tightening torque may damage the thread, etc.

#### Recommended Torque

Unit: N·m

Applicable model	AFF20 AM20 AMD20 AMK20	AFF30 AM30 AMD30 AMK30	AFF40 AM40 AMD40 AMK40	AFF50/AFF60 AM50/AM60 AMD50/AMD60 AMK50/AMK60
Spacer with bracket part number	Y200T-D	Y300T-D	Y400T-D	Y600T-D
Spacer part number	Y200-D	Y300-D	Y400-D	Y600-D
Torque	0.36 ±0.036	1.2 ±0.05	1.2 ±0.05	2.0 ±0.1



#### 2. Piping load and moment

Avoid any torsional or bending moments other than those caused by the equipment's own weight as failure to do so may result in damage.

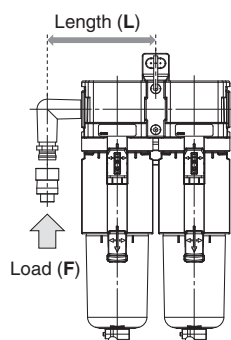
Support external piping separately. If moment application is unavoidable during operation, the moment should be lower than the max. moment shown below.

Piping materials without flexibility, such as steel tube piping, are prone to being affected by excess moment loads or vibrations from the piping side. Use flexible tubing in between to avoid such effects.

Unit: N·m

Applicable model	AFF20 AM20 AMD20 AMK20	AFF30 AM30 AMD30 AMK30	AFF40 AM40 AMD40 AMK40	AFF50/AFF60 AM50/AM60 AMD50/AMD60 AMK50/AMK60
Max. moment (M)	14.5	16	19.5	45

Max. moment (M) = Length (L) x Load (F)



### Piping

#### Warning

3. Connect piping/fittings using the recommended torque while holding the female thread side tightly.

Insufficient tightening torque can result in loose piping or sealing failure. Over tightening may break the thread. If the female side is not held while tightening, excessive force will be applied to the bracket directly, resulting in breakage.

#### Recommended Tightening Torque

Unit: N·m

Connection thread	1/8	1/4	3/8	1/2	3/4	1
Torque	7 to 9	12 to 14	22 to 24	28 to 30	28 to 30	36 to 38

4. When an SMC One-touch fitting is used, refer to the operation manual for the One-touch fitting.

### Air Supply

#### Warning

1. Air containing too much moisture may deteriorate product performance. Install a refrigerated air dryer or an aftercooler on the inlet side of the product.

#### Caution

1. Install a micro mist separator (AMD series) on the inlet side of the activated carbon filter (AMK series) to avoid performance degradation.

### Maintenance

#### Warning

1. Replace the element according to the replacement timing explained below. Failure to do so may result in element breakage.

##### a. AFF20 to 60-D, AM20 to 60-D, and AMD20 to 60-D

Within 2 years from the start of use or prior to a product pressure drop (difference in outlet pressure in relation to the inlet pressure) of 0.1 MPa

##### b. AMK20 to 60-D




1 year from the start of use or before the service life reaches 2 0 0 0 hours (The replacement timing of the element varies depending on the operating conditions. Even before the above replacement timing is reached, if an oil smell is emitted from the outlet, replace the element periodically thereafter.)

#### Caution

1. For the N.C. type auto drain, when there is no pressure, condensate, which is not enough to activate the auto drain mechanism, will remain in the bowl. It is recommended that the residual condensate be released manually at the end of each work day.
2. For models with an element service indicator, as the element becomes more clogged, the indicator will display an increasing level of red. Be sure to replace the element before the level of red reaches the top of the indicator.

## Safety Instructions

These safety instructions are intended to prevent hazardous situations and/or equipment damage. These instructions indicate the level of potential hazard with the labels of “Caution,” “Warning” or “Danger.” They are all important notes for safety and must be followed in addition to International Standards (ISO/IEC)<sup>1)</sup>, and other safety regulations.

-  **Caution:** **Caution** indicates a hazard with a low level of risk which, if not avoided, could result in minor or moderate injury.
-  **Warning:** **Warning** indicates a hazard with a medium level of risk which, if not avoided, could result in death or serious injury.
-  **Danger:** **Danger** indicates a hazard with a high level of risk which, if not avoided, will result in death or serious injury.

- 1) ISO 4414: Pneumatic fluid power – General rules relating to systems.  
ISO 4413: Hydraulic fluid power – General rules relating to systems.  
IEC 60204-1: Safety of machinery – Electrical equipment of machines.  
(Part 1: General requirements)  
ISO 10218-1: Manipulating industrial robots - Safety.  
etc.

## Warning

### 1. The compatibility of the product is the responsibility of the person who designs the equipment or decides its specifications.

Since the product specified here is used under various operating conditions, its compatibility with specific equipment must be decided by the person who designs the equipment or decides its specifications based on necessary analysis and test results. The expected performance and safety assurance of the equipment will be the responsibility of the person who has determined its compatibility with the product. This person should also continuously review all specifications of the product referring to its latest catalogue information, with a view to giving due consideration to any possibility of equipment failure when configuring the equipment.

### 2. Only personnel with appropriate training should operate machinery and equipment.

The product specified here may become unsafe if handled incorrectly. The assembly, operation and maintenance of machines or equipment including our products must be performed by an operator who is appropriately trained and experienced.

### 3. Do not service or attempt to remove product and machinery/equipment until safety is confirmed.

1. The inspection and maintenance of machinery/equipment should only be performed after measures to prevent falling or runaway of the driven objects have been confirmed.
2. When the product is to be removed, confirm that the safety measures as mentioned above are implemented and the power from any appropriate source is cut, and read and understand the specific product precautions of all relevant products carefully.
3. Before machinery/equipment is restarted, take measures to prevent unexpected operation and malfunction.

### 4. Contact SMC beforehand and take special consideration of safety measures if the product is to be used in any of the following conditions.

1. Conditions and environments outside of the given specifications, or use outdoors or in a place exposed to direct sunlight.
2. Installation on equipment in conjunction with atomic energy, railways, air navigation, space, shipping, vehicles, military, medical treatment, combustion and recreation, or equipment in contact with food and beverages, emergency stop circuits, clutch and brake circuits in press applications, safety equipment or other applications unsuitable for the standard specifications described in the product catalogue.
3. An application which could have negative effects on people, property, or animals requiring special safety analysis.
4. Use in an interlock circuit, which requires the provision of double interlock for possible failure by using a mechanical protective function, and periodical checks to confirm proper operation.

## Caution

### 1. The product is provided for use in manufacturing industries.

The product herein described is basically provided for peaceful use in manufacturing industries.  
If considering using the product in other industries, consult SMC beforehand and exchange specifications or a contract if necessary.  
If anything is unclear, contact your nearest sales branch.

## Limited warranty and Disclaimer/Compliance Requirements

The product used is subject to the following “Limited warranty and Disclaimer” and “Compliance Requirements”. Read and accept them before using the product.

### Limited warranty and Disclaimer

1. The warranty period of the product is 1 year in service or 1.5 years after the product is delivered, whichever is first.<sup>2)</sup> Also, the product may have specified durability, running distance or replacement parts. Please consult your nearest sales branch.
  2. For any failure or damage reported within the warranty period which is clearly our responsibility, a replacement product or necessary parts will be provided. This limited warranty applies only to our product independently, and not to any other damage incurred due to the failure of the product.
  3. Prior to using SMC products, please read and understand the warranty terms and disclaimers noted in the specified catalogue for the particular products.
- 2) Vacuum pads are excluded from this 1 year warranty.  
A vacuum pad is a consumable part, so it is warranted for a year after it is delivered. Also, even within the warranty period, the wear of a product due to the use of the vacuum pad or failure due to the deterioration of rubber material are not covered by the limited warranty.

### Compliance Requirements

1. The use of SMC products with production equipment for the manufacture of weapons of mass destruction (WMD) or any other weapon is strictly prohibited.
2. The exports of SMC products or technology from one country to another are governed by the relevant security laws and regulations of the countries involved in the transaction. Prior to the shipment of a SMC product to another country, assure that all local rules governing that export are known and followed.

## Caution

### SMC products are not intended for use as instruments for legal metrology.

Measurement instruments that SMC manufactures or sells have not been qualified by type approval tests relevant to the metrology (measurement) laws of each country.  
Therefore, SMC products cannot be used for business or certification ordained by the metrology (measurement) laws of each country.

## Safety Instructions

Be sure to read “Handling Precautions for SMC Products” (M-E03-3) before using.



## Revision History

<b>Edition B</b>	- The AMK series activated carbon filter has been added. ZO - Number of pages has been increased from 16 to 24.	
<b>Edition C</b>	- Sizes 50 and 60 have been added. - An element service indicator has been added. - Number of pages has been increased from 24 to 32.	AQ

## SMC Corporation (Europe)

<b>Austria</b>	+43 (0)2262622800	www.smc.at	office@smc.at
<b>Belgium</b>	+32 (0)33551464	www.smc.be	info@smc.be
<b>Bulgaria</b>	+359 (0)2807670	www.smc.bg	office@smc.bg
<b>Croatia</b>	+385 (0)13707288	www.smc.hr	office@smc.hr
<b>Czech Republic</b>	+420 541424611	www.smc.cz	office@smc.cz
<b>Denmark</b>	+45 70252900	www.smc.dk.com	smc@smcdk.com
<b>Estonia</b>	+372 651 0370	www.smcee.ee	info@smcee.ee
<b>Finland</b>	+358 207513513	www.smc.fi	smc@smc.fi
<b>France</b>	+33 (0)164761000	www.smc-france.fr	supportclient@smc-france.fr
<b>Germany</b>	+49 (0)61034020	www.smc.de	info@smc.de
<b>Greece</b>	+30 210 2717265	www.smchellas.gr	sales@smchellas.gr
<b>Hungary</b>	+36 23513000	www.smc.hu	office@smc.hu
<b>Ireland</b>	+353 (0)14039000	www.smcautomation.ie	sales@smcautomation.ie
<b>Italy</b>	+39 03990691	www.smcitalia.it	mailbox@smcitalia.it
<b>Latvia</b>	+371 67817700	www.smc.lv	info@smc.lv

<b>Lithuania</b>	+370 5 2308118	www.smclt.lt	info@smclt.lt
<b>Netherlands</b>	+31 (0)205318888	www.smc.nl	info@smc.nl
<b>Norway</b>	+47 67129020	www.smc-norge.no	post@smc-norge.no
<b>Poland</b>	+48 222119600	www.smc.pl	office@smc.pl
<b>Portugal</b>	+351 214724500	www.smc.eu	apoioclientept@smc.smces.es
<b>Romania</b>	+40 213205111	www.smcromania.ro	smcromania@smcromania.ro
<b>Russia</b>	+7 (812)3036600	www.smc.eu	sales@smcru.com
<b>Slovakia</b>	+421 (0)413213212	www.smc.sk	office@smc.sk
<b>Slovenia</b>	+386 (0)73885412	www.smc.si	office@smc.si
<b>Spain</b>	+34 945184100	www.smc.eu	post@smc.smces.es
<b>Sweden</b>	+46 (0)86031240	www.smc.nu	smc@smc.nu
<b>Switzerland</b>	+41 (0)523963131	www.smc.ch	info@smc.ch
<b>Turkey</b>	+90 212 489 0 440	www.smcturkey.com.tr	satis@smcturkey.com.tr
<b>UK</b>	+44 (0)845 121 5122	www.smc.uk	sales@smc.uk

**South Africa** +27 10 900 1233    www.smzca.co.za    zasales@smzca.co.za